



TEMP POWER



Heavy Duty, Reliable and Cost-Effective Temporary and Portable Power Systems

A.C. Dandy Temp Power Ltd.
Wetaskiwin AB



Temporary & Portable Power Systems

Not only do we have the largest inventory & power rental fleet in Western Canada, we take pride in being fully CSA Certified for your enhanced protection.

We offer:

- **application assistance** by qualified personnel and engineers
- the largest complete **rental fleet** in Western Canada
- **full re-calibration, after-testing and cleanup service** to make sure your systems are ready to go, safe and reliable

All A.C. Temp Power Portable Power Systems meet and exceed CSA standards, C.E.C. section 76 and are CSA certified.

Dimensions are typical and may vary upon manufacture. Consult factory at time of order.

Specifications, features and equipment shown are believed to be correct at time of printing.

A.C. Dandy Temp Power reserves the right to make changes at any time without notice or obligation, to colour, specifications, materials and model.

Subject to standard A.C. Dandy Temp Power terms and conditions. Certain Dandy Temp Power products carry patent.



Western Canada Warehouse



A.C. Dandy Temp Power Ltd.

4110-49 Street Wetaskiwin, AB T9A 2K1



TEMP POWER

Canada's Most Experienced Portable and Temporary Power Team

We have Canada's largest fleet of sale and rental equipment. Whether you're looking for weatherproof or indoor distribution, power tables, cam locks, cable sets etc. we are your source for all temporary and portable power systems. We pride ourselves on being CSA/UL Certified for your enhanced protection.

Each project is unique. If you're looking for something special or need assistance give us a call, we are your problem solvers.

TABLE OF CONTENTS

RENTAL	1. Handy Portable Power Systems - Spider Series _____	2
	2. Mid Capacity Distribution + Transformers _____	11
	3. High Voltage Distribution + Transformers _____	20
	4. Generator Tie In Panels + Load Banks + Transfer Switches _____	22
	5. Parking Lot Controllers + Pedestals + Electric Vehicle (EV) Chargers + Distribution Centres + Quick Chargers _____	27
SALES	6. Miscellaneous + Accessories _____	32
	7. Explosion Proof Systems _____	36
	8. Schematics + Typical Layouts _____	40

For more information visit dandytemppower.com or call 1.888.361.2370



23-01

HANDY TEMPORARY POWER MINI CUBE

Model #S-F



- EEMAC 3R enclosure for indoor or outdoor use
- Heavy duty handy permanent or portable power centre type power mini cube
- Typically used for construction sites or where portable power is required for displays, emergency shelters, tent camps, kitchens etc.
- Rugged metal construction sized 12" H x 7" W x 6" D - 35 lbs
- Safety yellow powder coat finish
- Four 5mA duplex ground fault outlets each with individual 10kAIC moulded case circuit breakers, can be easily reset from under side of roof without removing covers
- Receptacles complete with weatherproof covers are fitted on patented Dandy model #DR45-1 Handy Hoods
- Large steel base provides stability on flat or uneven surfaces - bolt down capability
- Safety soft machine formed corners on roof and base for added safety complete with top lifting handle for ease of relocation
- Designed to stow and wrap supply cable around when storing
- Interior cable grip makes for tight permanent cord clamp reducing cable pull-out
- Assembly suitable for 1 phase 120/240V or optional 3 phase 120/208V supply
- Fully CSA/UL certified assembly

Model #	Receptacles		Breakers		Max Feed
	Qty.	Description	Qty.	Description	
S-F	4	20A GFCI Duplex	4	1P 20A MC	60A - 120/240V

Assembly is fully code compliant to CEC 2012 rule #26-708

POWER TOWER TEMPORARY POWER TOWER

Model #S-FT

- EEMAC 3R enclosure for indoor or outdoor use
- Heavy duty, handy, permanent or portable power centre type power tower
- Typically used for construction sites or where portable power is required such as displays, emergency shelters, tent camps, kitchens etc.
- Rugged metal construction sized 24"H x 11"W x 14"D - 55 lbs
- Safety yellow powder coat finish
- Six 5mA duplex ground fault outlets each with individual 10kAIC moulded case circuit breakers, can be easily reset from under side of roof without removing covers
- Receptacles complete with weatherproof covers are fitted on patented Dandy model #DR45-1 Handy Hoods
- Large steel base makes unit stable on flat or rough surfaces - bolt down capability
- Safety soft machine formed corners on roof and base for added safety complete with top lifting handle for ease of relocation
- Designed to stow and wrap supply cable around when storing
- Interior cable grip makes for tight permanent cord clamp reducing cable pull-out
- Assembly suitable for 1 phase 120/240V or optional 3 phase 120/208V sources
- Fully CSA/UL certified assembly

Note

- This model has two spare moulded case circuit breaker spaces, or 8 total



Model #	Receptacles		Breakers		Max Feed
	Qty.	Description	Qty.	Description	
S-FT	6	20A GFCI Duplex	6	1P 20A MC	100A - 120/240V

Assembly is fully code compliant to CEC 2012 rule #26-708

1.888.361.2370

www.dandytemppower.com





23-01

SPIDER - SCAFFOLD MOUNT

Model #S-PB-GP-4



- EEMAC 3R enclosure for indoor or outdoor use
- Heavy duty handy permanent or portable power centre type power bar designed for scaffold mount
- Typically used for construction sites or where portable power is required for displays, emergency shelters, tent camps, kitchens etc.
- Rugged metal construction sized 24"H x 7"W x 6"D
- Safety yellow powder coat finish
- Feed cord complete with 20A 125/250V male twist-lock plug
- Receptacles are 20A 120V 5mA duplex type fitted on patented Dandy model #DR45-1 Handy Hoods complete with self-closing PVC weatherproof covers
- Safety soft machine formed corners on roof and base for added safety complete with top lifting handle for ease of relocation
- Designed to stow and wrap supply cable around when storing
- Interior cable grip makes for tight permanent cord clamp reducing cable pull-out
- Assembly suitable for 1 phase 120/240V
- Fully CSA/UL certified assembly

Option

- Patented scaffold hanger

POWER TOWER TEMPORARY POWER BAR, SCAFFOLD TYPE

Model #S-PPB-3

- EEMAC 3R enclosure for indoor or outdoor use
- Heavy duty handy permanent or portable power centre type power bar designed for scaffold mount
- Typically used for construction sites or where portable power is required such as displays, emergency shelters, tent camps, kitchens etc.
- Rugged metal construction
- Safety yellow powder coat finish
- Duplex 5mA GFCI outlets each with individual 20A 10kAIC moulded case circuit breakers, can be easily reset from under side of roof without removing covers
- Receptacles are fitted on patented Dandy model #DR45-1 Handy Hoods complete with self-closing PVC weatherproof covers
- Safety soft machine formed corners on roof for added safety
- Designed to stow and wrap supply cable around when storing
- Interior cable grip makes for tight permanent cord clamp reducing cable pull-out
- Assembly suitable for 1 phase 120/240V or optional 3 phase 120/208V sources
- Fully CSA/UL certified assembly



Model #	Dimensions H x W x D (")	Rating	Standard Receptacles / Circuit Breakers
S-PPB-3-S	24 x 13 x 6	120/240V	6 Qty. - 20A GFCI's & 1P20's
S-PPB-3-M	24 x 13 x 6	120/240V	4 Qty. - 20A GFCI's & 1P20's
			2 Qty. - 30A 125/250V & 2P30's

1.888.361.2370

www.dandytemppower.com





23-01

SPIDER - PORTABLE POWER PANEL

Model #S-PPB-4



- Dual Rated CSA Enclosure 1/3R
- Specifically designed as a heavy duty, ultra compact, lightweight, portable power panel/power bar assembly ideally used for construction and maintenance use
- Heavy duty top handle with ample space for work gloves, etc. is easily field interchangeable with scaffold hanger if required or if wall mounting is selected
- Durable, heavy duty, 8 gauge, marine grade aluminum enclosure with safety yellow powder coat finish. Sized 12" x 6" x 4"
- Fitted with four 20A GFCI duplex receptacles each complete with spring closer weatherproof cover
- Two 20A, 10kAIC, bolt in style circuit breakers complete with spring closer weatherproof cover (one circuit breaker per two duplex receptacles)
- Supply cord is 6' of 4c#12 SOOW complete with 20A, 125/250V, #L14-20R, watertight type twist-lock plug. Cable is secured by a Kellem type wire mesh grip/hub from underside of assembly for enhanced strength and durability. Designed to easily store cord coiled under hood/handle
- CSA/UL Certified assembly to be used where not subject to the weather. Meets and exceeds the latest code and safety requirements

Options

- Dandy scaffold ear
- Safety lanyard

Model #	Receptacles		Breakers		Dimensions H x W x D (")	Estimated Weight
	Qty.	Description	Qty	Description		
S-PPB-4	4	20A GFCI Duplex	2	20A Moulded Case Breakers	12 x 6 x 4	9.5 lbs

UGLY SPIDER - PORTABLE POWER BOX

Model #S-PP-GP-4

- EEMAC 1/3R enclosure
- Specifically designed outdoor (where not exposed to the weather), heavy duty, compact receptacle assembly for portable use where wall or scaffold attachment is desired for reliable, safe construction power
- Solidly welded and gasketed, 8 gauge aluminum enclosure assures lightweight, durability and strength
- 4 qty. 20A GFCI 5mA duplex receptacles are fitted with hinged weatherproof covers which supply a degree of protection to the receptacles
- Individual cover and body stainless steel ground studs enhance proper permanent assembly circuit grounding/bonding
- Custom internal cable clamp prevents pull out of supply cable
- 4' of 4c12SOOW cable complete with 125/250V 20A twist-lock and Kellem grip
- Front device cover has safety soft, machine formed edges for personnel safety and cabinet strength
- Fastening screws are stainless steel with inserts to aluminum body for strength and durability
- Weld-on side ears have 2 - 3/8" mounting holes and provision to easily and safely fasten assembly
- Safety lanyard • Fully CSA/UL certified assembly

Note

- Assembly rated 3R when not subject to the weather



Model #	Dimensions H x W x D (")	Rating	Receptacles
S-PP-GP-4	7 x 13 x 4	120/240V Max. 60A	4-20A GFCI's

1.888.361.2370

www.dandytemppower.com





23-01

HEAVY DUTY POWER TOWER Model #S-PT-AR3



- EEMAC 3R enclosure
 - Heavy duty, handy permanent or portable power centre type power tower
 - Typically used as a power divider for construction sites or where portable power is required for displays, emergency shelters, tent camps, kitchens etc.
 - Rugged metal construction sized 24" H x 11" W x 14" D
 - Safety yellow powder coat finish
 - Large steel base provides stability on flat or uneven surfaces - bolt down capability
 - Safety soft machine formed corners on roof and base for added safety complete with top lifting handle for ease of relocation
 - Fully CSA/UL certified assembly
- Option**
- Line protection circuit breaker for one in two out splitter design

Model #	Receptacles		Max Feed
	Qty.	Description	
S-PT-AR3	3	AR641*	60A - 600V

*AR641 can be altered to AR642

B SPLITTER "T-TAP" BOX - SPIDER SERIES MODEL #S-DT-BOX

- EEMAC 3R enclosure - weatherproof for indoor or outdoor use
- 'B' Splitter tap off box
- Specifically designed as a safe, compact assembly to tap off a reduced sized sub feed from a large feed through circuit as in portable power cable circuits
- Compact size - heavy duty welded enclosure with easy carry top handle
- Easy, quick termination of a supply cable source to a full capacity load receptacle and reduced size load receptacle
- All receptacles are Crouse-Hinds AR pin and sleeve style
- Circuit breaker for reduced capacity outlet has easy access weatherproof cover
- Assembly is rated 3R weatherproof
- Safety Yellow powder coat finish
- CSA/UL certified assembly



Options

- Various styles of outlets
- Alternate circuit breaker sizes
- Two load circuit breakers style
- Input receptacle

Notes

- Standard is 600V - 250V & 480V are available
- Line can be fitted with AR style 60A or 100A female receptacle
- 600V can be used for 480V & should be labelled as such

Model #	Dimensions (") H x W x D	Line Terminals	Load Receptacles	Supply Rating Maximum	Load Rating Maximum
S-DT-BOX-2/60-60-50	16 x 16 x 7	#6-2/0	AR641 4W - 4P + Grd.	60A, 600V, 3PH, 4W	50A
S-DT-BOX-2/100-100-60	16 x 16 x 7	#6-2/0	AR1041 4W - 4P + Grd.	100A, 600V, 3PH, 4W	60A
S-DT-BOX-6/60-60-50	16 x 16 x 7	#6-2/0	AR642 3W - 4P + Grd.	60A, 600V, 3PH, 4W	50A
S-DT-BOX-6/100-100-60	16 x 16 x 7	#6-2/0	AR1042 3W - 4P + Grd.	100A, 600V, 3PH, 4W	60A

1.888.361.2370

www.dandytemppower.com





23-01

MINI TEMPORARY POWER CENTRE Model #S-E1

- EEMAC 3R enclosure
- Typically used for emergency shelters, special events and construction sites where mid capacity portable power and cable stowing capability is required
- Unit is provided with three lower mounting key holes for wall mounting or floor securing
- Compact design allows for easy storage
- Rugged steel construction - safety yellow powder coat finish
- 19"H x 17"W x 12"D
- Top door is easily removable to access dead front breaker section and is secured by two clasps
- Siemens EQL style panel complete with plug in circuit breakers. Panel is mounted behind outer security door and has interior dead front cover

- Assembly has five device cutouts per side, two oversized 50A and one AR style on lower end complete with covers
- Fully CSA/UL certified assembly

Notes

- Top has no devices allowing assembly to be vertically wall mounted
- Rated 3R only when equipped with while-in-use weatherproof covers or model #DR45-RV-1 Handy Hoods
- Fitted for control systems
- Available without model #DR45-RV-1 Handy Hoods



Model #	Amps	PH	Wire	Panel Circuits	Receptacle Cutouts	Panel Type
S-E1	100	1	3	8/16	10	EQL8100D

MAXI TEMPORARY POWER TABLE

Model #S-D

- EEMAC 3R enclosure
- Specifically designed as a portable, stand-up, weatherproof power center table for use on construction and special event sites where mid capacity power is required
- Heavy duty welded steel style construction - safety yellow powder coat finish
- 27"H x 42"W x 26"D
- Hinged, padlockable, gasketed door complete with soft machine formed corners for enhanced safety
- Factory installed heavy duty Siemens P1 bolt in style complete with BL breakers is standard
- Total fifteen device cutouts on side are located on an angle on interchangeable device plates
- One cutout in side for 60/100A AR style service supply receptacles
- Standard CDP bus is 250A in bolt on style panel
- Fitted for control systems
- Fully CSA/UL certified assembly



Model #	Amps	Phase	Wire	Volts	Main Breaker	Siemens Panel Type	Circuits	Device Cutouts	60/100A AR Cutouts
S-D3	250	1	3	120/240	none **	P1A30ML-250	30	15	1
S-D4	250	3	4	120/208	none **	P1L30ML-250	30	15	1
S-D5	250	3	4	277/480	none **	P1L30ML-250	30	15	1
S-D6	250	3	4	347/600	none **	P1L30ML-250	30	15	1

** Main circuit breaker option available - consult factory

1.888.361.2370

www.dandytemppower.com





23-01



SPIDER - HIGH CAPACITY POWER TABLE

Model #S-DHC

- EEMAC 3R enclosure, safety yellow powder paint finish
- Specifically designed as a high capacity, portable, stand-up, weatherproof power centre table for use on construction and special event sites where midcapacity to large power is required at higher voltages
- Heavy duty welded steel style construction
- Body size: 42"L x 26"D x 27"H
- Hinged padlockable gasketed door complete with safety soft, machine formed corners for enhanced safety
- Siemens 'P1' 30 circuit panel complete with bolt-in style circuit breaker - 10kAIC
- Maximum of 8 factory installed Siemens BQD6 style breakers
- Maximum 8 Crouse Hinds AR devices
- Fitted for control systems
- Fully CSA/UL certified assembly

Model #	Amps	Phase	Wire	Volts	Style Circuit Breaker	CDP Size	Device Cutouts	Style AR # Receptacle	Accepts CH Plug #
S-DHC 2x30	250	3	4	600	2 - BQD6 - 3P30	30	2	AR342 (3W 4P)	APJ3485
S-DHC 4x30	250	3	4	600	4 - BQD6 - 3P30	30	4	AR342 (3W 4P)	APJ3485
S-DHC 6x30	250	3	4	600	6 - BQD6 - 3P30	30	6	AR342 (3W 4P)	APJ3485
S-DHC 2x60	250	3	4	600	2 - BQD6 - 3P60	30	2	AR642 (3W 4P)	APJ6485
S-DHC 4x60	250	3	4	600	4 - BQD6 - 3P60	30	4	AR642 (3W 4P)	APJ6485
S-DHC 6x60	250	3	4	600	6 - BQD6 - 3P60	30	6	AR642 (3W 4P)	APJ6485
S-DHC 8x60	250	3	4	600	8 - BQD6 - 3P60	30	8	AR642 (3W 4P)	APJ6485

SPIDER - WHEELED POWER CART

Model #S-PPC-SP-2

- EEMAC 3R enclosure - safety yellow powder coat finish
- Specifically designed as a wheeled, portable and easy to move temporary power cart used to adapt pin and sleeve cables to cam lock cables
- Typically used in special event applications
- Input is by AR1041S22 Crouse Hinds panel mount inlet
- Output protected by ABB fused disconnect complete with 100A type J fuses
- Output devices are E1016 series female cam lock connectors complete with weather caps
- Fitted for control systems
- Fully CSA/UL certified assembly



Model #	Dimensions H x W x D (")	Volts	Primary Fuse
S-PPC-SP-2	35 x 16 x 16	120/208	100A

1.888.361.2370

www.dandytemppower.com





23-01

SPIDER - WHEELED PANEL POWER CART

Model #S-PPC



- EEMAC 3R enclosure - safety yellow powder coat finish
- Specifically designed as a wheeled, portable and easy to move temporary power cart complete with 24 circuit distribution panel and 10 device outlets for use on 120V and 240V 1 phase loads
- Assembly is rated 120/240V complete with panel, main breaker, and secondary branch circuit breakers to suit selected devices
- Assembly has exterior padlockable piano hinged door complete with locking clasps over dead front interior cover for panel
- Panel is Siemens EQL12125 complete with Q250 main breaker and Q series "plug in" branch circuit breakers
- Standard is 10 duplex GFCI receptacles complete with DR45 Handy Hoods and self-closing PVC weatherproof covers
- Supply cord has rear winding cable mount to cradle supply cable when not in use and easy supply cable entry box
- Rear has heavy duty semi recessed wheels, top handle to allow tilt back roll away capability, and slide under forklift provision
- Roof handles are acceptable to hoisting of assembly for easy loading
- Assembly has roof with safety soft, machine formed corners
- Fitted for control systems
- Fully CSA/UL certified assembly

Model #	Dimensions H x W x D (")	Primary Volts - Amps	Phase	CDP Circuits	240V Main Circuit Breaker	Device KO's	Supply Cord
S-PPC	41 x 23 x 21	120/240-125	1	12/24	2P50	10	10' - 4C6SOOW & AP J6485

SPIDER - HEAVY DUTY WHEELED PANEL POWER CART

Model #S-PPC-HD

- EEMAC 3R enclosure - safety yellow powder coat finish
- Specifically designed as a wheeled heavy duty, portable and easy to move temporary power cart complete with 30 circuit distribution panel and 10 device outlets for use on 120V and 240V 1 or 3 phase loads
- Assembly is rated 120/240V or 120/208V CDP complete with bolt in circuit breakers to suit selected devices
- Assembly has exterior padlockable piano hinged door complete with locking clasps over dead front interior cover for panel
- Panel is Siemens P1 complete with optional main breaker and BL series branch circuit breakers
- Supply cord has rear winding cable mount to cradle supply cable when not in use and easy supply cable entry box
- Rear has heavy duty semi recessed wheels, top handle to allow tilt back roll away capability and slide under forklift provision
- Roof handles are acceptable to hoisting of assembly for easy loading
- Entire assembly has roof with safety soft, machine formed corners
- Supplied with 10 duplex GFCI receptacles on Dandy Handy Hood with self-closing PVC weatherproof covers
- Fitted for control systems
- Fully CSA/UL certified assembly



Model #	Dimensions H x W x D (")	Primary Volts - Amps	Phase	CDP Circuits	250V Main Circuit Breaker
S-PPC-HD-1	47 x 25 x 10	120/240-250	1	30	optional to 250A
S-PPC-HD-2	47 x 25 x 10	120/208-250	3	30	optional to 250A

1.888.361.2370

www.dandytemppower.com





23-01

WHEELED TRANSFORMER POWER CART

Model #S-TPC



Also available in 316 stainless steel 4X rated

- EEMAC enclosure type 3R
- Specifically designed as a wheeled portable unit substation, heavy duty low profile and easy to move temporary power cart with step down transformer, 24 circuit distribution panel, and 10 device outlets for use on 120 and 240V single phase loads
- Assembly is rated 10kVA dual 600V or 480V primary - 120/240V secondary complete with panel and secondary branch circuit breakers to suit selected devices
- Assembly has exterior, padlockable, piano hinged door complete with locking clasps over dead front interior cover for panel and transformer
- Primary protection 30A fused disconnect (HFC361R)
- Panel is Siemens #EQL12125 complete with Q series branch circuit breakers
- Each side has a #DP-B type 9 device plate - standard is 4 duplex receptacles on Dandy Handy Hood and 1 x L14-30 twist lock receptacle with self-closing PVC weatherproof covers
- Rear has heavy duty, semi recessed wheels, top handle to allow tilt back, roll away capability and slide under forklift provision
- Fitted for control systems
- Fully CSA/UL certified assembly

Model #	Dimensions H x W x D (")	Primary Volts	Phase	kVA	CDP Circuits	Device KO's	Supply Cord & Receptacle
S-TPC-1	40 x 26 x 24	600/480	1	10	12/24	10	50' - 4C10SOOW & APJ6485

SPIDER - WHEELED WELDER CART

Model #S-PC

- EEMAC 3R enclosure
- Specifically designed as a heavy duty, easy to move portable power cart for temporary connection to loads such as welder etc. through use of one supply cord, multiple fusible switches, and AR receptacles for load side connection
- Supply cord has rear winding cable mount to cradle supply cable when not in use
- Assembly has roof, sides and bottom for protection of switches and receptacles
- AR receptacles are factory mounted and wired to load side of switch. AR's have weatherproof flap door catalogue #AR642 3W 4P 60A which accept APJ6485 male plugs or catalogue #AR1042 3W4P, 100A which accept APJ10487 male plugs
- 60A fusible switches are Siemens model #HFC362R heavy duty, fusible safety switch complete with JLS fuses 60A 200kAIC @ 600V rated and are EEMAC 3R rated load make/load break and are HP rated to 50HP @ 600V
- 100A fusible switches are Siemens model #HFC363R heavy duty fusible safety switch complete with JLS fuses 100A 200 kAIC @ 600V rated and are EEMAC 3R rated load make / load break, HP rated to 75 HP @ 600V
- Rear has heavy duty semi recessed wheels, top handle to allow tilt back roll away capability, and slide under forklift provision
- Roof handles are acceptable to hoisting of assembly for easy loading
- Roof has safety soft, machine formed corners
- Fully CSA/UL certified assembly



Model #	Dimensions H x W x D (")	Rating				Qty. Switches	Receptacles 3W-4P			Supply Cord & Plug
		Volts	Amps	Phase	Wire		Qty	Amps	#	
SPC-2x60	41 x 30 x 22	600	125	3	3W & GRD	2	2	60	AR642	10' - 4C6SOOW & APJ6485
SPC-2x100	41 x 30 x 22	600	225	3	3W & GRD	2	2	100	AR1042	10' - 4C2SOOW & APJ10487

1.888.361.2370

www.dandytemppower.com





23-01

SPIDER - WEATHERPROOF PANEL BOARD

Model #S-P1-DLCR



- EEMAC 3R panel enclosure
- Compact, portable, panel board and cage specifically designed for 30cct 400A and 42cct 250A Siemens P1A, P1C, or P1L panel boards in 1 phase and 3 phase 120/208V to 347/600V (P2/P3)
- Fitted with side receptacle device plates for easy installation of various devices
- Suitable for indoor and outdoor use. Protects against rain, sleet and snow
- Galvanized steel construction for backbox
- Gasketed, hinged, heavy duty, padlockable, safety yellow door complete with clasps
- Designed for easy cable wiring
- Full cage and skid type 6C
- Fitted for control systems
- Fully CSA/UL certified assembly

Options

- Main circuit breaker Service entrance rated
- Panel heater and thermostat
- Rear quick entry/exit box
- E1016 camlock Inputs

Model #	Cage Size H x W x D (")	Panel Amps	Panel Circuits	Device Plate Type
S-P1-DLCR-42250	64 x 32 x 36	250A	42cct	B
S-P1-DLCR-30400	64 x 32 x 36	400A	30cct	B

SPIDER - POWER DISTRIBUTION CENTER

Model #S-PDC-TP

- EEMAC 3R enclosure
- Designed specifically as a heavy duty, portable skid type circuit breaker power distribution center for large construction sites
- Tube or I-beam skids give rigid support and stability and are designed to allow for use with forklifts or pallet jacks and lifting hooks for crane
- Circuit breaker style CDP gives versatility to custom specific sizes of various quantities and sized branch and main circuit breakers
- Main lug supply provision with optional specific sizes of line lugs
- Load side rear cable entry box for easy customer entry and exit of site conductors - gland plate makes alteration easy and strut below assures proper cable support
- Cabinet is dead front style complete with exterior door, 3 point padlockable handle and inner dead front hinged door for easy access to circuit breakers - exterior doors have 4" snow kick
- Fully welded assembly and safety soft, machine formed corners, safety yellow paint complete with black cage and base
- Fitted for control systems • Fully CSA/UL certified assembly

Model #	CDP Amps	Volts	Phase	Wire	Cage Type
S-PDC-TP1	400	347/600	3	4	6AB
S-PDC-TP2	600	347/600	3	4	6AB
S-PDC-TP3	800	347/600	3	4	consult factory
S-PDC-TP4	1200	347/600	3	4	consult factory
S-PDC-TP5	1600	347/600	3	4	consult factory
S-PDC-TP6	2000	347/600	3	4	consult factory
S-PDC-TP7	4000	347/600	3	4	consult factory



1.888.361.2370

www.dandytemppower.com



23-01

SPIDER STEP BOX Model #S-PDC-TP-R



- EEMAC 3R enclosure
- Specifically designed as a heavy duty, portable, skid type, circuit breaker power distribution centre complete with provisions for rear mounted devices and outlets for large construction sites or events
- Tube or I-beam skids give rigid support and stability and are designed to allow for use with forklifts or pallet jacks
- Circuit breaker style CDP gives versatility to customize branch circuit breakers of various quantities and sizes
- Main lug supply provision with optional specific sizes of line lugs when camlocks are not used (e.g. teck cable feed)
- Step angle rear device shelves for easy customer entry and exit of site conductors - gland plate makes alteration easy and assures proper cable connection point
- Cabinet is dead front style, complete with exterior door, 3 point padlockable handle and inner dead front hinged door for easy access to circuit breakers - exterior doors have 4" snow kick
- Welded assembly and safety soft machine formed corners on roof and doors. Safety yellow complete with black cage and base
- Fitted for control systems
- Fully CSA/UL certified assembly

Note

- Neutral provision can be eliminated when not required (consult factory)

Model #	Dimensions H x W x D (")	Rating
S-PDC-TP-R-1	76 x 48 x 48	800A - 600V - 18kAIC
S-PDC-TP-R-2	76 x 48 x 48	1200A - 600V - 18kAIC

PORTABLE HIGH CAPACITY TERMINAL BOX Model #DSTB-P



- EEMAC 3R enclosure
- Specifically designed as an heavy duty, portable, termination box as required for multiple generator connection to common loads or utility to load
- Top vertical bus is heavy duty 50k braced and high capacity for quick & easy connections to various sizes and styles of cables (eg. DLO single conductor, multi or single conductor teck)
- Elevated design where an elevated terminal box is mounted in a tube
- Steel cage is above incoming cables
- Aluminum gland plates in bottom terminal box makes cable entry by cable connector or optional camlocks flexible and easy. Interchangeable gland plates allow easy modification and plate replacement
- Full lower ground bar is centre fitted
- Access doors on front and rear sides
- 88"H x 60"W x 60"D
- Fully CSA/UL certified assembly

1.888.361.2370
www.@dandytemppower.com





SPIDER - LARGE CAPACITY DISTRIBUTION CENTER

Model #S-A

- 23-01 • EEMAC 3R enclosure
- High capacity 600V distribution designed for portable power centers on large construction sites such as welding skids, camps etc.
- By making provision for using individual feeder breakers or fusible switches on the distribution side, capability for field modification and alteration is made simple, safe and economical
- Common bus section is vented
- 3 Pole main disconnect factory wired to bus
- Cable entry at bottom
- Double hinged overlapping doors on front and rear

- Hinged door on main disconnect section
- Lifting hooks on top of cabinet
- Open bottom for cable entry
- Fitted for control systems
- Fully CSA/UL certified assembly

Note

- Site specific voltages, amperages and branch feeder types and sizes are easily available. Simply specify capacity and quantity/size of feeders required

Caution

When isolation bypass switch/fuse option is added and used on ring feed then back feed may cause switch blades or fuse barrels to be energized - tag warning accordingly



Model #	Dimensions H x W x D (")	Fused Main @ 600V	Top Bus	Sub Feeder Space H x W (")
S-A-400-3P	72 x 72 x 35	3P400A	3P600A	46 x 60
S-A-600-3P	72 x 84 x 35	3P600A	3P600A	46 x 60
S-A-800-3P	72 x 84 x 35	3P800A	3P800A	46 x 60
S-A-1200-3P	72 x 102 x 35	MLO	3P1200A	46 x 82

SPIDER - TEMPORARY LARGE CAPACITY DISTRIBUTION

Model #S-AA

- High capacity 600V distribution designed for portable power centres on large construction sites such as welding skids, camps etc., 600V rated
- By making provision for using individual feeder breakers or fusible switches on the sub feeder side capability for field modification and alteration is made simple, safe, economical and flexible
- Oversized driphood on top of cabinet
- Common bus section is vented inside
- Optional main disconnect/fuse switch/circuit breaker is wired to 3 pole top bus
- Line and load cable entry at bottom complete with cable clamp provision
- 12" Tapered legs
- Separate main entry disconnect section complete with hinged, dead front inner door. Double hinged, overlapping doors on sub dist. section with 3 point padlockable handles
- Lifting hooks on top of cabinet. If supplied with skid or cage, they are bolt on top style
- Fitted for control systems
- Fully CSA/UL certified assembly



Model #	Overall Dimensions Without Cage H x W x D (")	Fused Main @ 600V	Top Bus
S-AA-1200-3P	72 x 118 x 42	MLO	3P1200A
S-AA-1600-3P	72 x 118 x 42	MLO	3P1600A
S-AA-2000-3P	consult factory	MLO	3P2000A
S-AA-3000-3P	consult factory	MLO	3P3000A

1.888.361.2370

www.dandytemppower.com



23-01



SPIDER - HEAVY DUTY FUSED SWITCH STAND

Model #S-TPS

- EEMAC 3R enclosure
- Specifically designed as a portable temporary power stand for 208/480/600V multiple feed applications such as construction sites, plant maintenance turn arounds, etc.
- Heavy duty channel and tube frame base for stable free standing applications - two top lifting loops for easy handling of power stands and are also designed to allow for strapping provision in transport
- Fusible switches are Siemens HP rated model #HFC 30A = 20HP, 60A = 50HP, and 200A = 150HP all at 600V complete with 'J' fuse clips
- 4, 6, and 8 switch/outlet configuration are standard
- 'J' type 200kAIC indication type fuses sized to disconnect size ex. 60A for 60A switch - fuses are JLS
- Horizontal cable support is mounted below switch to allow for support of customer cables when required using 'P' straps
- Fully CSA/UL certified assembly

Model #	Main Distribution Switch Size	Max Voltage	Sub Switch/Receptacles			Fits Up To CH Cord Receptacle #
			Size	AR#	Qty	
S-TPS-200-4x60	200A-3 Pole	600	3P4W-60A	642	4	APJ6485
S-TPS-200-6x60	200A-3 Pole	600	3P4W-60A	642	6	APJ6485
S-TPS-200-8x60	200A-3 Pole	600	3P4W-60A	642	8	APJ6485
S-TPS-400-4x100	400A-3 Pole	600	3P4W-100A	1042	4	APJ10487
S-TPS-400-6x100	400A-3 Pole	600	3P4W-100A	1042	6	APJ10487
S-TPS-400-8x100	400A-3 Pole	600	3P4W-100A	1042	8	APJ10487
S-TPS-600-5x200	MLO	600	3P4W-200A	consult factory	5	consult factory

DRY TYPE PORTABLE HEAVY DUTY COMPACT SKID MOUNT TRANSFORMER

MODEL #S-DUS-E

- EEMAC 3R enclosure
- Specifically designed as a portable or fixed mount, dry core, heavy duty, weatherproof, isolation transformer suitable for use in areas accessible to the public
- Enclosed ventilated, dead front, unique design makes the assembly secure and safe where unqualified people may be encountered (e.g. parks, school yards, camps, construction sites etc.)
- Separate entry/exit boxes make connection quick and easy
- Full steel skid makes unit assembly portable and robust
- Fitted for control systems • Fully CSA certified assembly

Options

- 480/600V dual voltage primary
- Mechanical lugs - #6-1/0 on line & #6-300 on load
- 3P90A 600V MCB complete with #6-2/0 line lugs
- Load side 120/208V 250A bolt in CDP
- 3 pole 600V line side 18kAIC MCB
- Full cage on skid



Model #	kVA	Phase	Volts		Enclosure Size	Body Size (") H x W x D	OD Skid Size (") W x D
			Primary	Secondary			
S-DUS-E-30	30	3	600	120/208	1	34 x 26 x 34 *	36 x 30
S-DUS-E-45	45	3	600	120/208	1	34 x 26 x 34 *	36 x 30
S-DUS-E-75	75	3	600	120/208	1	34 x 26 x 34 *	36 x 30

* Width dimensions do not include 5" wide entry/exit box & 7" for CDP

1.888.361.2370

www.dandytemppower.com





23-01

single or three phase



TEMPORARY POWER SUBSTATION

Model #S-DUS-A1/C1

- EEMAC 3R enclosure
- Designed as a weatherproof, skid mount single or three phase unit substation assembly c/w step down transformer and low voltage distribution section for portable use complete with one side mounted device plate on each side
- Standard device plates are interchangeable to suit customer needs
- Rainproof and sleet resistant for outdoor use
- Skid style, heavy duty portable base complete with lifting hooks
- Oversized hood provides maximum weather resistance
- Soft, machine formed corners provide maximum safety
- Factory prewired complete with dead front inner cover on CDP and ventilation louvers punched in sides of transformer enclosure
- Steel construction complete with safety yellow body and black base
- Doors are hinged and gasketed c/w padlockable clasps and 2" snow kick
- Secondary CDP is Siemens P1 complete with bolt in circuit breakers
- Fitted for control systems • Fully CSA/UL certified assembly

Options

- Dandy model #DR45-1 Handy Hood
- Side mounted line cable entry/terminal JB box
- Primary circuit breaker and L.V. CDP main circuit breaker
- Top cable stow rack and galvanized protection plate
- Available to 750kVA in single or three phase

Model #	Dimensions c/w Cage H x W x D (")	Phase	Wire	kVA	Transformer		Distribution Load Center		
					Pri.	Sec.	Mains	Volts	ccts
S-DUS-A1-25	44 x 38 x 31	1	3	25	600 or 480	120/240	150A	120/240	18
S-DUS-C1-30	44 x 38 x 31	3	4	30	600 or 480	120/208	150A	120/208	18

TEMPORARY POWER SUBSTATION

Model #S-DUS-D1

- EEMAC 3R enclosure
- Specifically designed as a weatherproof, portable, 3 phase unit substation complete with step down transformer, 600V and 208V distribution sections and interchangeable side-mount device plates to allow for various receptacle styles/configurations
- Factory prewired c/w dead front inner doors over all panels & transformer
- Powder coated safety yellow body and black base/cage
- Receptacles are fitted on patented Dandy model #DR45-1 Handy Hoods
- 600/347V 18 ccts 250A P2 style CDP MLO 10kAIC complete with two 3 pole ED and four 3 pole BQD provisions
- Dual voltage 480/600V heavy duty ANN transformer
- 120/208V 42cct 250A P1 style CDP
- 208V Side has two DP-C device plates on the left side and one DP-C on the right side
- 600V Side has one DP-AA device plate on the left side and quick connection DPS-225-3W terminal entry box on the right side
- Full cage is 2" tubing complete with 4" x 6" skid, 4 top bolt-on lifting eyes, and galvanized roof
- Fitted for control systems • Fully CSA/UL certified assembly

three phase + dual voltage primary



Model #	Dimensions c/w Cage H x W x D (")	Phase	Wire	kVA	Transformer		Distribution Load Center				Weight (lbs)
					Pri.	Sec.	HV		LV		
							Mains	ccts	Mains	ccts	
S-DUS-D1-45	62 x 40 x 35	3	4	45	600/480	120/208	250A	18	250	42	1,145
S-DUS-D1-75	62 x 40 x 35	3	4	75	600/480	120/208	250A	18	250	42	1,300

1.888.361.2370

www.dandytemppower.com





23-01

PORTABLE L.V. UNIT SUB SKID "SPIDER S-US-M1"

Model #S-US-M1



- EEMAC 3R enclosure
 - Specifically designed as a compact, mid capacity, low voltage, combination unit substation power distribution centre complete with 600-480V line side CDP with neutral and quick connect 225A 4 wire terminal box, 208V load side secondary CDP and low voltage exit box
 - Skid mount, portable unit for versatile and portable use
- Standard Rental Unit Is Fitted With**
- 225A 4 wire 347/600V line side terminal box (#DPS-225-4W) for easy entry for high voltage and low voltage
 - 30cct 600V CDP complete with three 3P60A circuit breakers each complete with receptacles and one 3P60A transformer feeder
 - 45kVA Dual voltage 480/600V step down transformer with 120/208V secondary
 - 30cct 208V CDP complete with easy exit load box, two 2P30A circuit breakers, each with 30A 125/250V #L14-30R twist-lock receptacles, six 1P20A circuit breakers each with #5-20R GFI duplex receptacles, and one 3P100A circuit breaker complete with #AR1041 receptacle (balance are provisions)
 - Fitted for control systems
 - Fully CSA/UL certified assembly

Model #	kVA	Phase	Standard CDP Circuit Size		Dimensions H x W x D (")
			600V/Amp	208V/Amp	
S-US-M1-1	45	3	30/250	30/250	56 x 40 x 60

PORTABLE L.V. UNIT SUB SKID "SPIDER S-US-M2"

Model #S-US-M2

- EEMAC 3R enclosure
 - Specifically designed as a compact, mid capacity, low voltage, combination unit substation power distribution centre complete with 600-480V line side CDP complete with neutral and quick connect 400A 4 wire terminal box, 208V load side secondary CDP and low voltage exit box
 - Skid mount portable unit for versatile and portable use
 - Fitted for control systems • Fully CSA/UL certified assembly and skid
- Standard Rental Unit Is Fitted With**
- 225A 4 wire 347/600V line side terminal box (#DPS-225-4W) for easy entry for high voltage and low voltage
 - 30cct 600V CDP complete with three 3P60A circuit breakers each with #AR642 receptacles and one 3P90A transformer feeder
 - 75kVA dual voltage 480/600V step down transformer with 120/208V secondary
 - 30cct 208V CDP with easy exit load box, two 2P30A circuit breakers each complete with 30A 120/240V #L14-30R twist-lock receptacles, six 1P20A circuit breakers each complete with #5-20R GFI duplex receptacles, and one 3P100A circuit breaker with #AR1041 receptacle (balance are provisions)



Model #	kVA	Phase	Standard CDP Circuit Size		Dimensions H x W x D (")
			600V/Amp	208V/Amp	
S-US-M2-1	75	3	P2L - 400A	P1 - 42/250A	70 x 36 x 66

1.888.361.2370

www.dandytemppower.com





PORTABLE L.V. UNIT SUB SKID "SPIDER S-US-M3"

Model #S-US-M3

- 23-01 • EEMAC 3R enclosure
- Specifically designed as a compact, large capacity, low voltage, 347/600V and 120/208V combination distribution centre for high capacity 600V or 480V distribution and mid capacity 208V distribution for large projects requiring quick, reliable portable power
- Designed with full skid base and cage for easy lifting and stable mounting
- Fitted for control systems • Fully CSA/UL certified assembly

Note

- Model #'s S-US-M3-3 and S-US-M3-4 are mid capacity units and quantity of circuit breakers and receptacles are as requested (consult factory)

Standard Rental Unit Is Fitted With

- 225A 4 Wire 347/600V line side terminal box (#DPS-225-4W) for easy entry for high voltage and low voltage
- 30cct 600V CDP complete with three 3P60A circuit breakers each with #AR642 receptacles and one 3P60A feeder
- Dual voltage 480/600V step down transformer with 120/208V secondary
- 30cct 208V CDP complete with easy exit load box, two 2P30A circuit breakers each with 30A 120/240V #L14-30R
- Twist-lock receptacles, six 1P20A circuit breakers
- Each has #5-20R GFI duplex receptacles, and one 3P100A circuit breaker with #AR1041 receptacle (balance are provisions)



Model #	kVA	Phase	Primary Volts	Secondary Volts	Enclosure H x W x D (")	Cage H x W x D (")
S-US-M3-1	75	3	347/600	120/208	60 x 76 x 32	72 x 92 x 42
S-US-M3-2	75	3	277/480	120/208	60 x 76 x 32	72 x 92 x 42
S-US-M3-3	112.5	3	347/600	120/208	Consult Factory	Consult Factory
S-US-M3-4	150	3	347/600	120/208	Consult Factory	Consult Factory

SPIDER - AUTO TRANSFORMER

Model #S-DUS-AUTO

- EEMAC 3R enclosure
- Specifically designed to provide a heavy duty, weatherproof and portable auto transformer
- WYE Auto winding with ground XO capability for increased voltage stabilization and safety
- Steel tube cage and skid assembly with elevated design to allow pallet jack or forklift use
- Steel roof supplied with lifting eyes
- Line and Load side terminal box allows for quick and easy field connection
- Available from 15-200kVA 600-480V, 600-208V to 480-208V - consult factory
- Consult factory for sizes
- Fully CSA/UL certified assembly



Shown is 150kVA 600-480V



23-01

SPIDER - NEUTRAL GROUNDING RESISTOR (NGR) & MONITOR

Model #D-GFR/NGR



Shown is
Model #D-GFR/NGR-1-347

- EEMAC 3R enclosure
- Specifically designed as a neutral to ground voltage and continuity monitor (NGR). Connected in neutral to ground transformer power circuits where limiting of ground fault currents are required in A.C. systems (CEC 10-1100)
- Assembly is housed in one package with integral NGR, SE-325 monitor, ER sensing resistor, control transformer, CT and output modes for shunt (SH) or under-voltage trip (UV) available in 208V, 480V and 600V systems option
- Assembly complete with external pilot light for resistor fault, ground fault indication and trip reset push button
- Fully CSA/UL certified assembly

Options

- SE330 monitor
- 277V or 347V sensing

Note

- Standard is 5A continuous

Model #	System Volts	NGR Ohms
D-GFR/NGR-1-277	480	59
D-GFR/NGR-1-347	600	69

MAIN CIRCUIT BREAKER c/w UNDER VOLTAGE TRIP

Model #S-MCB-NGR

- Designed as a portable main breaker fitted with NGR sensor, and under voltage trip to meet CSA standard #M421-00 for electricity in mines
- Compact assembly, skid complete with full cage, heavy duty, EEMAC 3R weatherproof enclosure with main breaker, sensing CT - monitor, trip relay, and monitor reset push button
- Connections are mechanical #6-350 lugs on circuit breaker line and load. Quick connect camlocks sized 400A - 600V #E1016 series
- Circuit breaker is 600V - 3 pole - 250 / 400 / or 600 A LI Siemens 22kAIC rated at 600V and 35kAIC @ 460V adjustable instantaneous and complete with 120V under voltage coil
- Enclosed in a door over door cabinet sized 36" x 24" x 10"
- NGR is supplied mounted to skid
- Control transformer is dual voltage primary 600V or 460V to 120V secondary
- Fully CSA/UL certified assembly



1.888.361.2370

www.dandytemppower.com





23-01

POWER UNIT SUBSTATION DISTRIBUTION CENTER

Model #DUS-A1, B1, C1 & D1

- EEMAC 3R enclosure
- Designed as a weatherproof, skid mounted assembly complete with step down transformer and distribution section for portable use. Assembly is mounted on 4" x 4" skids
- Rainproof and sleet resistant for outdoor use - ASA 61 grey
- Oversized hood provides maximum weather resistance
- Soft machine formed corners provide maximum safety
- Dead front inner door for distribution section
- Rear transformer cover is bolted on and gasketed

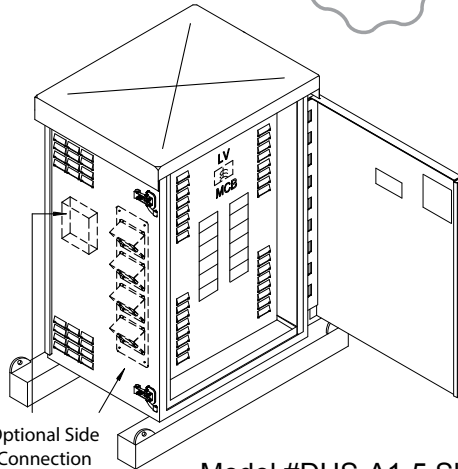
Options

- Side supply terminal box
- Alternative device plates
- Available to 1000kVA 380V 480V and 5kV voltages
- Heavy duty full tube cage
- Load exit box
- Higher interrupting capacity for breakers
- LV MCB
- Primary circuit breaker for enhanced protection

Note

- For pad mounted style consult factory

single or three phase



Optional Side Connection Box For Easy Supply Cable Entry & Optional Device Plate

Model #DUS-A1-5 Shown complete with breaker option

1 Phase

Model #	Dimensions (") H x W x D	Phase	Wire	kVA	Transformer		Distribution Load Center		
					Pri.	Sec.	Mains	Volts	ccts.
DUS-A1-5	36 x 24 x 24	1	3	5	600	120/240	125A	120/240	18
DUS-A1-7.5	36 x 24 x 24	1	3	7.5	600	120/240	125A	120/240	18
DUS-A1-10	36 x 24 x 24	1	3	10	600	120/240	125A	120/240	18
DUS-A1-15	36 x 24 x 24	1	3	15	600	120/240	125A	120/240	18
DUS-A1-25	36 x 24 x 24	1	3	25	600	120/240	125A	120/240	18

When panel is not required add suffix "-LP" to model # - size remains as detailed

Model #	Dimensions (") H x W x D	Phase	Wire	kVA	Transformer		Distribution Load Center		
					Pri.	Sec.	Mains	Volts	ccts.
DUS-B1-37.5	48 x 34 x 34	1	3	37.5	600	120/240	250A	30	
DUS-B1-50	48 x 34 x 34	1	3	50	600	120/240	250A	30	
DUS-B1-75	48 x 34 x 34	1	3	75	600	120/240	400A	30	
DUS-B1-100	60 x 42 x 46	1	3	100	600	120/240	600A	consult factory	
DUS-B1-167	60 x 44 x 54	1	3	167	600	120/240	800A	consult factory	
DUS-B1-200	60 x 44 x 54	1	3	200	600	120/240	1200A	consult factory	
DUS-B1-250	68 x 44 x 54	1	3	250	600	120/240	1200A	consult factory	

37.5 kVA is available in 'A' series with 30cct CDP

3 Phase

Model #	Dimensions (") H x W x D	Phase	Wire	kVA	Transformer		Distribution Load Center		
					Pri.	Sec.	Mains	Volts	ccts.
DUS-C1-6	36 x 24 x 24	3	4	6	600	120/208	125A	120/208	18
DUS-C1-9	36 x 24 x 24	3	4	9	600	120/208	125A	120/208	18
DUS-C1-15	36 x 24 x 24	3	4	15	600	120/208	125A	120/208	18
DUS-C1-30	36 x 24 x 24	3	4	30	600	120/208	125A	120/208	18

When panel is not required add suffix "-LP" to model # - size remains as detailed

Model #	Dimensions (") H x W x D	Phase	Wire	kVA	Transformer		Distribution Load Center		Cage Type
					Pri.	Sec.	Mains	ccts.	
DUS-D1-45	48 x 34 x 34	3	4	45	600	120/208	250A	30	4
DUS-D1-75	48 x 34 x 34	3	4	75	600	120/208	250A	30	4
DUS-D1-112.5	48 x 34 x 34	3	4	112.5	600	120/208	400A	30	4
DUS-D1-150	60 x 44 x 54**	3	4	150	600	120/208	600A	30	4A
DUS-D1-225	68 x 44 x 54**	3	4	225	600	120/208	800A	consult factory	4A
DUS-D1-300	68 x 44 x 54	3	4	300	600	120/208	1200A	consult factory	4A

** above sizes are for compact P2 30 circuit panel on low voltage side. For S5 42 circuit panel see 'DUS-D' series for sizes on 150kVA and 225kVA

1.888.361.2370

www.dandytemppower.com

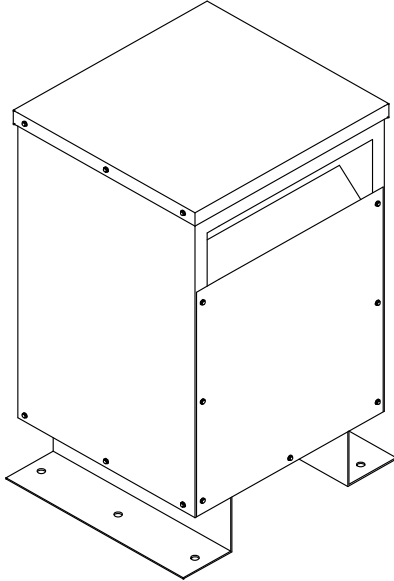


23-01

DANDY/REX TRANSFORMER ENERGY SAVING ISOLATION STYLE

Style "DUS-AA"

- Enclosure type 1 - vented
- Energy efficient EE rated transformer 150°C rise aluminum wound isolation type 60Hz 220°C insulation throughout
- 2 and 12 - 2 1/2% taps - line/load terminal boxes
- Supplied with terminal pads only
- Safe and reliable power sources such as lighting and loads requiring a neutral and full isolation such as commercial buildings, industries etc.



480-120/240V 1 Phase

kVA	Model #
15	SA15H-K/E3R/Z
25	SA25H-K/E3R/Z
37	SA37H-K/E3R/Z
50	SA50H-K/E3R/Z
75	SA75H-K/E3R/Z
100	SA100H-K/E3R/Z
167	SA167H-K/E3R/Z

600-120/240V 1 Phase

kVA	Model #
15	SA15J-K/E3R/Z
25	SA25J-K/E3R/Z
37	SA37J-K/E3R/Z
50	SA50J-K/E3R/Z
75	SA75J-K/E3R/Z
100	SA100J-K/E3R/Z
167	SA167J-K/E3R/Z

480-120/208V 3 Phase

kVA	Model #
15	BA15H-M/E3R/Z
30	BA30H-M/E3R/Z
45	BA45H-M/E3R/Z
75	BA75H-M/E3R/Z
112.5	BA112H-M/E3R/Z
150	BA150H-M/E3R/Z
225	BA225H-M/E3R/Z
300	BA300H-M/E3R/Z

600-120/208V 3 Phase

kVA	Model #
15	BA15J-M/E3R/Z
30	BA30J-M/E3R/Z
45	BA45J-M/E3R/Z
75	BA75J-M/E3R/Z
112.5	BA112J-M/E3R/Z
150	BA150J-M/E3R/Z
225	BA225J-M/E3R/Z
300	BA300J-M/E3R/Z

DANDY/REX AUTO TRANSFORMER

Style "DUS-BB"

- Enclosure type 1 - vented
- YY copper wound 150°C - 60Hz common winding no isolation
- Designed as an economical step up or step down design for motors, industrial loads, heaters etc.
- Standard units do not have taps or lugs

Options

- Cage and skid mounted
- Skid only mounted
- Weatherproof shields
- XO brought out
- Line/load terminal boxes

kVA Size	Model #						
	600-480V	600-380V	600-240V	600-208V	480-240V	480-208V	240-280V
15	RC15JH	RC15JF	RC15JC	RC15JB	RC15HC	RC15HB	RC15CB
30	RC30JH	RC30JF	RC30JC	RC30JB	RC30HC	RC30HB	RC30CB
45	RC45JH	n/a	RC45JC	RC45JB	RC45HC	RC45HB	RC45CB
75	RC75JH	n/a	RC75JC	RC75JB	RC75HC	RC75HB	RC75CB
112.5	RC112JH	n/a	RC112JC	RC112JB	RC112HC	RC112HB	RC112CB
150	RC150JH	n/a	RC150JC	RC150JB	RC150HC	RC150HB	RC150CB
225	RC225JH	n/a	RC225JC	RC225JB	RC225HC	RC225HB	RC225CB
300	RC300JH	n/a	RC300JC	RC300JB	RC300HC	RC300HB	RC300CB
500	RC500JH	n/a	RC500JC	RC500JB	RC500HC	RC500HB	RC500CB
1000	RC1000JH	n/a	RC1000JC	RC1000JB	RC1000HC	RC1000HB	RC1000CB

1.888.361.2370

www.dandytemppower.com





23-01

SPIDER - LOAD BREAK/LOAD MAKE FUSIBLE SWITCH

HV 5/7.2/12/17.5/25/36kV

Model #S-DHVS

- EEMAC 3R enclosure - vented
- Specifically designed as a portable unit complete with rear cable entry shelf for easy access
- AC Dandy disconnecter type NAL/F.P. switches have been designed primarily as a standalone, portable, high voltage, fusible disconnect for use as:
 - line and transformer switches
 - within distribution networks
 - motor/capacitor switches

By combining the switch (which disconnects the load and small fault currents) with current limiting fuses (which break large fault currents) the result is an ideal combination towards all types of faults in the network

- Unique extended rear shelf makes entry/exit of cabling quick and flexible
- Skid base makes portable, easy and safe
- Door cannot be opened with switch closed
- Hinged top back, full access



Model #	KV	Pole	Dimensions H x W x D (")
S-DHVS-1-5	5	3	80 x 38 x 42
S-DHVS-1-7.2	7.2	3	80 x 38 x 42
S-DHVS-1-12	12	3	96 x 40 x 56
S-DHVS-1-17.5	17.5	3	96 x 50 x 56
S-DHVS-1-25	25	3	96 x 50 x 56
S-DHVS-1-36	36	3	96 x 50 x 56

1.888.361.2370

www.dandytemppower.com



23-01

DUAL PACK HIGH VOLTAGE

Model #S-HVS-2-X

- Available in dual- and multi-cell applications, consult factory for more information



3

HIGH VOLTAGE POWER DISTRIBUTION CENTER

Model #S-PDC-HV

- EEMAC 3R enclosure
- Specifically designed as a service entrance rated, high voltage lineup with a fused main and multiple fused individual sub feeder cells
- Main service switch and feeder cell are designed for bottom or rear entry and exit
- Full top bus makes for secure, high capacity distribution center
- Fitted for 'E' or 'DIN' E.L. fuses
- Weatherproof construction makes unit ideal for locations where an electrical room is omitted and a standalone kiosk is selected

Options

- Skid mount portable unit
- Various feeders and main sizes
- No SE rating - riser assembly type
- Heaters and fans
- Feedthrough line and load bus

Notes

- Consult factory for various options
- Available in 5-37kV and to 1200A



- Available in various quantities of switches ex. 1 main & 10 sub feeders
- Available in aluminum and stainless steel for corrosive locations such as LRT's, railways, refineries or fisheries

1.888.361.2370

www.dandytemppower.com



21



23-01

AUTO SELECT LOAD TRANSFER PANEL

Model #DAS

- EEMAC 3R enclosure for indoor or outdoor use
- **Compatible with multiple supply voltages - 208, 240, 460 or 575V (by tap change) makes one unit for multiple uses. HP rated to 250HP at 600V**
- Works on single or three phase supply systems
- Fitted with 400A #E1016 camlocks in and out, and mechanical lugs in and out allow for various configurations of quick easy connection
- Master On/Off control is ESD compatible
- Warm up timers for transfer and retransfer
- Load On pilot light indicator G1 or G2
- **On board 5kVA - 120V power source with 2 qty. - 15/20A duplex receptacles (for block heater, chargers etc.)**
- Internal heaters and condensation vents complete with sealing inner shields
- Camlocks and receptacles on patented DR45 Handy Hood for stress relief by 45° angle design
- Fully portable complete with steel skid, cage and roof - forklift, pallet jack and crane compatible
- Door-over-door weatherproof, compact, secure, padlockable steel enclosure sized 64"H x 32"W x 24"D
- 400A + 600A single or three phase, 3R weatherproof assembly
- Fully CSA/UL certified assembly



Model #	Max Amps	Cage Dimensions H x W x D ("")
DAS-2	400	64 x 36 x 36
DAS-3	600	74 x 46 x 48

1.888.361.2370

www.dandytemppower.com





23-01

HEAVY DUTY SERVICE ENTRANCE RATED BREAKER TYPE MANUAL TRANSFER SWITCH

Model #GTS

shown with outer door off



- EEMAC 1 enclosure
- Designed as a compact, essential load manual transfer switch. Uses circuit breakers with thermal magnetic characteristics to enhance generator/load protection
- Fully mechanically interlocked to prevent two loads from being simultaneously on

Option

- Various sized circuit breakers, maximum 40A

Note

- Always check with local authorities for approval prior to ordering
- Sizes may vary a time of order

Model #	Dimensions H x W x D (")	Hydro. Amps	Gen. Amps	Phase	Wire	Volts
GTS-20-20	10 x 6 x 4	20	20	1	3	240
GTS-30-20	10 x 6 x 4	30	20	1	3	240
GTS-30-30	10 x 6 x 4	30	30	1	3	240
GTS-40-30	10 x 6 x 4	40	30	1	3	240

PORTABLE GENERATOR EXTERIOR TIE-IN RECEPTACLE BOX

Model #DTS-RB

- EEMAC 3R enclosure for indoor or outdoor use
- Designed as an exterior mountable weatherproof plug-in receptacle for easy connection to an emergency portable genset
- Galvanized or ASA 61 grey
- Receptacle has male prongs to allow for female generator cord end tie in from generator
- Wall mountable
- Fully CSA/UL certified assembly

Options

- 460V and 600V models
- 100A and 200A styles
- Camlock style

Notes

- Specify receptacle type at time of order
- Always check with local authorities for approval prior to ordering
- kW should not exceed kVA rating of genset - consult factory for 100A and 200A sizes in APR series or 400A, 600A and 800A style terminal tie-in lug assemblies



Model #	Dimensions (") H x W x D	Amps	Pole	Volts	Phase	Suggested Max. kW/kVA Generator	Receptacle Type
DTS-RB-30-1	6 x 6 x 4	30	2 & grd	120	1	2.8kW/3.6kVA	Twist-Lock
DTS-RB-30-2	6 x 6 x 4	30	3 & grd	120/240	1	5.5kW/7kVA	Twist-ock
DTS-RB-30-3	6 x 6 x 4	30	4 & grd	120/208	3	9kW/11kVA	Twist-Lock
DTS-RB-50-4	12 x 6 x 4	50	2 & grd	120/240	1	10kW/12kVA	Twist-Lock
DTS-RB-60-5	12 x 6 x 4	60	3 & grd	120/240	1	12kW/14kVA	AR
DTS-RB-60-6	12 x 6 x 4	60	4 & grd	120/208	3	17kW/22kVA	AR

1.888.361.2370

www.dandytemppower.com





23-01

WEATHERPROOF MANUAL TRANSFER SWITCH

Model #DTS - manual transfer switch 600V or less



- EEMAC 3R enclosure for indoor and outdoor use
- Designed as a fully manual operated transfer switch suitable to safely select between two sources of power (ex. utility or generator)
- Operating handle on exterior face of door and padlockable in off position
- Heavy duty 600V switch is load make/load break type HP rated
- Galvanized back boxes on #DTS-400 and smaller complete with mounting dimples and grey door

Options

- Multiple load lugs when several loads are required to be connected
- Auxiliary 10A contacts complete with utility restored LED indicator light (only operable when in genset position)
- EEMAC 4 or 4X enclosure
- AR type receptacles, camlocks or posilock generator bottom fitted quick connect terminals
- 4 pole units for switching neutral conductor
- Service entrance rated - add suffix 'SE'

Model #	Dimensions (") H x W x D	Amps	Phase	Wire	Volts	HP Rating	Line & Load Lugs	Driphood	Enclosure Style
DTS-100	24 x 10 x 6	100	3	4	600	50	#8 - 1/0	no	DBR-EQ
DTS-200	36 x 16 x 10	200	3	4	600	200	#6 - 250	no	DBR-EQ
DTS-400	48 x 24 x 10	400	3	4	600	350	#2 - 600	no	DBR-EQ
DTS-600	60 x 32 x 14	600	3	4	600	500	(2) #2 - 350	yes	DBR-1D
DTS-800	72 x 38 x 16	800	3	4	600	600	(2) #2 - 600	yes	DBR-1D
DTS-1200	92 x 42 x 16	1200	3	4	600	600	(2) #4 - 600	yes	DBR-1D

**Available with multiple load lugs for radial feed applications - consult factory

SPIDER - HIGH CAPACITY TRANSFER SWITCH

Model #S-DTS-1200-CUBE (shown)

- EEMAC 3R enclosure
- Specifically designed to provide a large capacity distribution or manual transfer switch assembly in compact cube design
- Factory connected line and load bus terminal pads fit up to various lugs or cam locks for quick, easy connections
- Cable shelf inlet design allows for cable entry/exit with space for cable bends
- Steel tube cage and skid assembly with elevated design to allow pallet jack or forklift use
- Steel roof supplied with lifting eyes
- Consult factory for sizes available
- Available 200 to 2400A in stock
- Fully CSA/UL certified assembly



1.888.361.2370

www.dandytemppower.com





23-01

HEAVY DUTY BREAKER TYPE MANUAL TRANSFER SWITCH

Model #GTS-1



- EEMAC 3R enclosure for indoor/outdoor use
- Designed as a heavy duty, medium capacity, essential load/manual transfer switch. Uses circuit breakers with thermal magnetic characteristics to enhance generator/load protection
- Code gauge steel construction
- Fully mechanically interlocked to prevent two loads from being simultaneously on
- Operating interlock is circuit breaker mounted to prevent accidental simultaneous operation if door is open or circuit breaker cover is removed
- Breakers are Siemens thermal magnetic or equal minimum 10kAIC
- Hinged door with padlockable clasps
- Punch raised read mounting dimples with galvanized body - ASA 61 grey power paint finish
- Ground lug inside enclosure
- Fully CSA/UL certified assembly

Option

- Line and load camlocks or dual mech. lugs/camlocks design

Model #	Dimensions (") H x W x D	Gen. Amps	Hyrdo Amps	Phase	Wire	Volts
GTS-1-60-60	36 x 20 x 6	60	60	3	3	600
GTS-1-100-100	40 x 24 x 10	100	100	3	3	600
GTS-1-100-200	40 x 24 x 10	100	200	3	3	600
GTS-1-100-300	40 x 24 x 10	100	300	3	3	600
GTS-1-100-400	40 x 24 x 10	100	400	3	3	600
GTS-1-400-600	72 x 38 x 16	400	600	3	3	600
GTS-1-400-800	92 x 42 x 16	400	800	3	3	600

WEATHERPROOF FUSED DISCONNECT - 3R

Model #S-DFDS-3R

- EEMAC 3R enclosure, available in 4X
- Designed as an ultra heavy duty load make/load break switch disconnect for indoor or outdoor use
- ASA 61 grey door complete with locking clasp.
- No knockouts in enclosure
- Mechanical line and load lugs are factory installed
- ABB type dead front switches with internal fuses to 800A and load side fuses over 800A. Fuse clips are class "L" or "J"
- ABB heavy duty disconnect complete with padlockable off pistol handle
- Fully CSA/UL certified assembly

Option

- Non-fusible style
- E1016 Cam Locks - Line & Load



Model #	Dimensions H x W x D (")	Rating					Terminal Lug Descriptions Al/Cu		
		Amps	Phase	Wire	Volts	HP	Line	Load	Optional SN
S-DFDS-3R-30-3	10 x 8 x 6	30	3	4	600	30	(1) 14 - 4 AWG	(1) 14 - 4 AWG	(2) 14 - 4 AWG
S-DFDS-3R-60-3	12 x 10 x 6	60	3	4	600	40	(1) 14 - 4 AWG	(1) 14 - 4 AWG	(2) 14 - 4 AWG
S-DFDS-3R-100-3	24 x 10 x 6	100	3	4	600	50	(1) #14 - 2/0	(1) #14 - 2/0	(2) #14 - 2/0
S-DFDS-3R-200-3	30 x 16 x 8	200	3	4	600	200	(1) #6 - 300	(1) #6 - 300	DSN-225
S-DFDS-3R-400-3	48 x 24 x 12	400	3	4	600	350	(1) #2 - 600	(1) #2 - 600	DSN-400
S-DFDS-3R-600-3	60 x 30 x 12	600	3	4	600	500	(2) 350 - 6	(2) 350 - 6	DSN-600
S-DFDS-3R-800-3	72 x 30 x 12	800	3	4	600	500	(2) #2 - 600	(2) #2 - 600	DSN-800
S-DFDS-3R-1000-3	84 x 38 x 12	1000	3	4	600	-	(3) #2 - 600	(3) #2 - 600	DSN-1200/1600
S-DFDS-3R-1200-3	84 x 38 x 12	1200	3	4	600	-	(3) #2 - 600	(3) #2 - 600	DSN-1200/1600
S-DFDS-3R-1600-3	92 x 42 x 16	1600	3	4	600	-	(4) #2 - 600	(4) #2 - 600	DSN-1200/1600
S-DFDS-3R-2000-3	92 x 42 x 16	2000	3	4	600	-	(8) #2 - 600	(8) #2 - 600	consult factory

Consult factory for actual sizes for 4, 6 & 8 poles

1.888.361.2370

www.dandytemppower.com





23-01

HIGH CAPACITY POWER DISCONNECT Model #S-DCB



- EEMAC 3R enclosure
- Specifically desinged as a breaker type in-line main or feeder breaker for service entrance or sub load protection such as service switch, generator tie-in breaker or other load connection point
- High capacity fixed on adjustable, continuous thermal set point has optoinal LI or LSIG modules
- Mechanical or combination compression and mechanical-compression cable lugs are available
- Dead front inner door under exterior door design
- EEMAC 3R weatherproof enclosure has ample room for cable connection
- Safety yellow powder coat body
- Fully CSA/UL certified assembly

Note

- 2500A and 3200A units have rear access

Option

- Line and load camlocks or dual mech. lugs/camlocks design

Model #	Max Amps	Max Volts	Pole	kAIC @ 600V	Lug Size	Cage Dimensions H x W x D (")	Cage Type
S-DCB-400	400	600	3	25	Consult Factory	70 x 36 x 24	6B
S-DCB-600	600	600	3	25	Consult Factory	70 x 36 x 24	6B
S-DCB-800	800	600	3	25	(2) #2/0-500	74 x 46 x 30	6AB
S-DCB-1200	1200	600	3	25	(4) #2/0-500	94 x 48 x 30	6A
S-DCB-1600	1600	600	3	65	Consult Factory	102 x 48 x 30	6AA
S-DCB-2000	2000	600	3	65	Consult Factory	101 x 62 x 52	6AC
S-DCB-2500	2500	600	3	65	Consult Factory	101 x 62 x 52	6AC
S-DCB-3200	3200	600	3	65	Consult Factory	Consult Factory	C. Factory

NOTE: Body size may vary at time of manufacture dependant on line/load connection method

* 2000A unit has optional size of 92" x 42" x 42" complete with rear access * Cage height dimension includes skid base

PORTABLE GENERATOR RECESSED CAMLOCK TIE-IN BOX STORM CONNECTOR SERIES

Model #DTS-TB1SR

- 3R Enclosure, for indoor or outdoor use
- Flush mount, semi-recessed, attractive and secure generator or load bank tie-in box. Fitted with #E1016 type 400A-600V maximum camlock receptacles inside behind hinged up, padlockable door makes for safe, easy and fast connection to portable DLO cords
- Outer door is secured with flush semi-locking handle
- Design is ideal for portable trailers or in locations where public, traffic accessible, secure, attractive, hinged receptacle unit is preferred
- Semi-flush door has safety soft machine formed corners for additional safety and deluxe appearance
- Inner receptacles are angle mounted to reduce stress on phase lugs
- Fully CSA/UL certified



Model #	Dimensions H x W x D (")	Line & Load Lugs	Max Volts	Poles
DTS-TB1SR-200-3	30 x 16 x 10	(2) 2-250 Each DDL-250	600	2 & SN
DTS-TB1SR-200-4	30 x 16 x 10	(2) 2-250 Each DDL-250	600	3 & SN
DTS-TB1SR-400-3	30 x 16 x 10	(2) 2-250 Each DDL-250	600	2 & SN
DTS-TB1SR-400-4	30 x 16 x 10	(2) 2-250 Each DDL-250	600	3 & SN
DTS-TB1SR-600-3	40 x 16 x 12	(2) 2-350 Each DDL-350	600	2 & SN
DTS-TB1SR-600-4	40 x 16 x 12	(2) 2-350 Each DDL-350	600	3 & SN
DTS-TB1SR-800-3	40 x 16 x 12	(2) 2-600 Each DDL-600T	600	2 & SN
DTS-TB1SR-800-4	40 x 16 x 12	(2) 2-600 Each DDL-600T	600	3 & SN

1.888.361.2370

www.dandytemppower.com





23-01



FLEX POST™ PEDESTALS

Model #1FP-DPP

- EEMAC 3R enclosure
- Specifically designed as a flexible body power pedestal
- Ideal for use where collision from vehicles or snow removal etc. occurs. Flexible body bends when hit and returns to vertical position
- Ideal for corrosive atmospheres such as marinas, potash, roadways, parking lots, etc.
- Available in 12" stubby or 27" high designs
- Polymer elastomeric flexible material for maximum durability and corrosion protection
- Fully listed to CSA standards

*PATENTED and
CSA CERTIFIED*

Model #	Receptacles		Breakers		Dimensions (") H x W x D
	Qty.	Description	Qty.	Description	
1FP-DPP-1	1	15A Duplex Receptacle	0	No Breaker	27 x 4 x 4
1FP-DPP-1-1CB	1	15A Duplex Receptacle	1	15A 1P Moulded Case Breaker	27 x 4 x 4
1FP-DPP-1-2CB	1	15A Duplex Receptacle	2	15A 1P Moulded Case Breakers	27 x 4 x 4
1FP-DPP-2	2	15A Duplex Receptacles	0	No Breakers	27 x 4 x 4
1FP-DPP-3	1	15A GFCI 125V Duplex Receptacle	0	No Breaker	27 x 4 x 4
	1	30A 125V Crowfoot	0	No Breaker	
1FP-DPP-4	1	30A 125V Crowfoot	0	No Breaker	27 x 4 x 4
1FP-DPP-5-1CB	1	30A 125V Crowfoot	1	30A 1P Moulded Case Breaker	27 x 4 x 4
1FP-DPP-6-1CB	1	50A 125/250V Receptacle	1	50A 2P Moulded Case Breaker	27 x 4 x 4
1FP-S-DPP-1	1	15A Duplex Receptacle	0	No Breaker	12 x 4 x 4
1FP-S-DPP-2	2	15A Duplex Receptacles	0	No Breakers	12 x 4 x 4

ELECTRIC VEHICLE (EV) SERIES

FLEX POST EV CHARGING STATION PEDESTAL STYLE

Model #LEVC-FP-1

Mounts electric vehicle level 2 charging station 30A or 40A complete with pistol grip 18' cord and rear cable dock bracket. Flex post design is ideal where pedestal is subject to collision.



EV CHARGING STATION PEDESTAL STYLE LEVEL 2

Model #LEVC-1-30

Make your parking stall electric vehicle friendly, secure, vandal resistant and code compliant. 3R weatherproof, pad mount enclosed unit for indoor or outdoor use, with cord stowaway option. CSA certified. 30A complete with internal charger, dock bracket and padlockable outer door allows for in- or out-of-use service.



1.888.361.2370
www.dandytemppower.com





23-01

DANDY LOAD MISER ENERGY DIVIDER CONTROLLER

Model #D-LM



- EEMAC 3R enclosure
 - Specifically designed as a load saving device used where non-essential load is connected to an essential load circuit
 - The load saver cuts off power to the non-essential circuit only.
Reducing load saves service upgrades
 - Adjustable 5 to 50 amp of the circuit upstream rating
 - Easy to install for new and existing installations, simply connect in series of existing essential load
 - Ideal for energy saving or when system capacity is limited
 - Optional time of day clock prevents non-essential load from operation on/off hour, increasing energy savings and allowing non-essential load to operate on/off time energy availability
 - Sensing has adjustable 5 - 50 second time delay action to prevent rapid load cycling. Sensing is on only L1. To avoid nuisance tripping if loads are unbalanced add second phase current sensor option
 - White powder paint finish
 - Fully CSA certified assembly
- Options**
- Extra large body sized 18" x 14" x 5"
 - Two split CT's

NOTE:
Refer to CEC
Rule #'s
8-106 (10)
and (11),
8-500, and
12-3022 (4)

Model #	Volts	Wire	Res. Amp	Ind. Amp	Factory Approx. Line Trip Set Point Amp *	Enclosure Size (") H x W x D	Terminal Size Al/Cu
D-LM-1	120/240	3	30	30	24 Amp	12 x 14 x 4.5	2 - 14
D-LM-2	120/240	3	40	30	32 Amp	12 x 14 x 4.5	2 - 14
D-LM-3	120/240	3	50	40	40 Amp	12 x 14 x 4.5	2 - 14
D-LM-4	120/240	3	60	50	48 Amp	12 x 14 x 4.5	2 - 14

Trip point can be field adjusted from 5 to 50 amps. Factory set as above.

TRANSFORMER/CARTROL DISTRIBUTION KIOSK

Model #CRT-5H1



- EEMAC 3R enclosure
- Designed as a compact, energy saving, heavy duty, weatherproof, pad mount style, combination transformer complete with two CDP's and cartrol logic assembly for parking lots - suggested logic is cartrol 5 for maximum energy savings
- Compact size allows for installation of step down transformer, two CDP's and optional logic control types 1 to 5
- Dual load panels allows service capacity to be half of actual load by use of cartrol 50/50 load share feature - CDP's are Siemens 'P1'
- 3 Point padlockable handle on CDP
- Safety soft, machine formed corners on cross-brake roof with safety edges and driphood over all doors and lifting eyes on top

Model #	kVA	PH	Primary Volts	Secondary Volts	CDP cct	CDP Amp	Dimensions (") H x W x D
CRT-5H1-0	25	1	600	240	30 x 2	250	60 x 48 x 30
CRT-5H1-1	37.5	1	600	240	30 x 2	250	60 x 48 x 30
CRT-5H1-2	50	1	600	240	42 x 2	250	60 x 48 x 30
CRT-5H1-3	75	1	600	240	42 x 2	400	60 x 48 x 30
CRT-5H1-4	100	1	600	240	42 x 2	600	60 x 56 x 36
CRT-5H1-5	167	1	600	240	66 x 2	1000	72 x 56 x 36
CRT-5H1-6	30	3	600	208	30 x 2	150	60 x 48 x 30
CRT-5H1-7	45	3	600	208	30 x 2	250	60 x 48 x 30
CRT-5H1-8	75	3	600	208	42 x 2	250	60 x 48 x 30
CRT-5H1-9	112.5	3	600	208	42 x 2	400	60 x 56 x 36
CRT-5H1-10	150	3	600	208	66 x 2	600	72 x 56 x 42
CRT-5H1-11	225	3	600	208	66 x 2	800	72 x 76 x 42

- Available in various kVA & voltages - consult factory
- Available in type 1, 2, 3, 4 & 5 Dandy logic
- Available in 460V primary - add suffix 460
- All transformers 1PH & 3PH 50kVA & can be altered to compact series sized 48" x 44" x 24" - consult factory





23-01



Model #DPP-1J-1 shown complete with Model #DR45-1 Handy Hood

PARKADE PEDESTAL BOX Catalogue #1J-DPP

- EEMAC 3R enclosure
- Designed for parkades and rail mounting
- Rainproof, outdoor/indoor use
- Sized 8"H x 8"W x 4"D

Options

- Model #DR45-1 Handy Hood complete with weatherproof cover
- While-in-use receptacle cover

Model #	Receptacles		Breakers	
	Qty.	Description	Qty.	Description
DPP-1J-1	1	15A Duplex Receptacle	0	No Breaker
DPP-1J-2	1	15A Duplex Receptacle	1	15A MC Breaker
DPP-1J-3	1	15A Duplex Receptacle	2	15A MC Breakers
DPP-1J-4	1	30A 125V Crowfoot	0	No Breaker
DPP-1J-9	1	50A 125/250V Receptacle	0	No Breaker

POST PEDESTAL BOX

Catalogue #1JJ-DPP

- EEMAC 3R enclosure
- Specifically designed for parkades, walls, concrete columns and heavy duty I-beam car plug support (Model #DPP-1K)
- Rainproof, outdoor/indoor use
- Sized 12"H x 6"W x 4"D

Options

- Model #DR45-1 Handy Hood complete with weatherproof cover
- While-in-use receptacle cover



Model #DPP-1JJ-5 shown complete with Model #DR45-1 Handy Hood

Model #	Receptacles		Breakers	
	Qty.	Description	Qty.	Description
DPP-1JJ-1	1	15A Duplex Receptacle	0	No Breaker
DPP-1JJ-2	1	15A Duplex Receptacle	1	15A MC Breaker
DPP-1JJ-3	1	15A Duplex Receptacle	2	15A MC Breakers
DPP-1JJ-5	2	15A Duplex Receptacles	0	No Breaker
DPP-1JJ-6	2	15A Duplex Receptacles	2	15A MC Breakers

COLUMN PEDESTAL BOX

Catalogue #1JJ-C-DPP

- EEMAC 3R enclosure
- Specifically designed narrow body receptacle assembly for heavy duty I-beam column mounting
- Rainproof, outdoor/indoor use

Options

- Model #DR45-1 Handy Hood complete with weatherproof cover
- While-in-use receptacle cover



Model #DPP-1JJ-C-SP

Model #	Receptacles		Breakers		Standard Enclosure Size HxWxD (")
	Qty.	Description	Qty.	Description	
DPP-1JJ-C-1	2	15A Duplex Receptacle	0	No Breaker	18 x 6 x 4
DPP-1JJ-C-2	2	15A Duplex Receptacle	1	15A MC Breaker	18 x 6 x 4
DPP-1JJ-C-3	2	15A Duplex Receptacle	2	15A MC Breakers	18 x 6 x 4
DPP-1JJ-C-5	3	15A Duplex Receptacles	0	No Breaker	18 x 6 x 4
DPP-1JJ-C-6	3	15A Duplex Receptacles	3	15A MC Breakers	18 x 6 x 4
DPP-1JJ-C-9	6	15A Duplex Receptacles	0	No Breaker	18 x 12 x 4

1.888.361.2370

www.@dandytemppower.com





23-01

MULTIPLE RECEPTACLE ASSEMBLY

Model #DRB-1



20 receptacle assembly, showing typical dimensions, 4 row style

- EEMAC 1 enclosure for indoor use (3R with gasket) and patented Dandy model #DR45-1 Handy Hood
- Designed as a handy receptacle assembly where multiple receptacles are required in one clean and neat cabinet
- Surface mount complete with soft corners and is screw fastened
- ASA 61 grey cover on galvanized back box complete with mounting dimples

Options

- EEMAC 3R when assembly is gasketed type complete with weatherproof covers
- Factory installed receptacles and covers, and prewired with loose wire tails
- Loose supplied devices
- 347V Switch mounting holes
- Hinged door complete with locking clasps
- Typically used in Dandy SEV and TPS distribution centres
- Pad mounted style complete with hatch

Model #	Qty. Rec. KO's	Row of KO's	Dimensions H x W x D (")
DRB-1-3	3	1	7.5 x 14 x 5
DRB-1-5	5	1	7.5 x 22 x 5
DRB-1-6	6	2	13.5 x 14 x 5
DRB-1-8	8	2	13.5 x 18 x 5
DRB-1-10	10	2	13.5 x 22 x 5
DRB-1-20	20	4	25.5 x 22 x 5
DRB-1-25	25	5	31.5 x 22 x 7

Consult factory for various other KO quantities

DIRECT EARTH BURIAL BREAKER TYPE PEDESTAL

Catalogue #1C-DPP

- EEMAC 3R enclosure
- Designed as a direct burial with large body for heavy duty use suitable for feedthrough multiple cable interconnection - fast and economical installation
- 48"H x 7"W x 6"D pedestal body and front access cover
- Safety soft, machine formed corners on hood with smooth edges for ultimate safety and European appearance
- ASA 61 grey powder coat finish
- 10KAIC moulded case breakers under hood

Options

- Feedthrough terminal lugging #DPP-TER-4
- Custom colours
- Model #DR45-1 Handy Hood complete with weatherproof cover
- While-in-use receptacle cover



Model #DPP-1C-3 shown complete with Model #DR45-1 Handy Hood

Note: prior to 2009 this model was identified as 1CCC series

Model #	Receptacles		Breakers	
	Qty.	Description	Qty.	Description
DPP-1C-1	1	15A Duplex Receptacle	0	No Breaker
DPP-1C-2	1	15A Duplex Receptacle	1	15A Moulded Case Breaker
DPP-1C-3	1	15A Duplex Receptacle	2	15A Moulded Case Breakers
DPP-1C-4	2	15A Duplex Receptacles	0	No Breaker
DPP-1C-5	2	15A Duplex Receptacles	2	15A Moulded Case Breakers
DPP-1C-6	2	15A Duplex Receptacles	4	15A Moulded Case Breakers

1.888.361.2370

www.dandytemppower.com





23-01

PAD TYPE SPLITTER
Model #DS3R



- EEMAC 3R enclosure
- Suitable for indoor or outdoor use
- Galvanized steel construction
- 3 Pole 600V rated lugs provided
- Lugs Al/Cu rated - no knockouts
- Punch raised rear mounting dimples

Options

- EEMAC 4 or 4X
- ASA 61 grey cover

Model #	Dimensions H x W x D (")	Rating	Lug Ratings AWG		Weight (lbs)
			Mains	Secondary	
DS3R-3-125-24	8 x 24 x 5	125A, 600V	(1) 1/0-14	(6) 2-14	16.2
DS3R-3-125-36	8 x 36 x 5	125A, 600V	(1) 1/0-14	(6) 2-14	22.9
DS3R-3-125-48	8 x 46 x 5	125A, 600V	(1) 1/0-14	(6) 2-14	29.6
DS3R-3-225-24	9 x 24 x 6	225A, 600V	(1) 300-6	(6) 2/0-14	18.8
DS3R-3-225-36	9 x 36 x 6	225A, 600V	(1) 300-6	(6) 2/0-14	27.6
DS3R-3-225-48	9 x 46 x 6	225A, 600V	(1) 300-6	(6) 2/0-14	35.3
DS3R-3-225-60	9 x 58 x 6	225A, 600V	(1) 300-6	(6) 2/0-14	43.1
DS3R-3-225-72	9 x 70 x 6	225A, 600V	(1) 300-6	(6) 2/0-14	51.4
DS3R-3-400-36	10 x 36 x 6	400A, 600V	(1) 600-4 or (2) 250-1/0	(6) 3/0-14	30.4
DS3R-3-400-48	10 x 46 x 6	400A, 600V	(1) 600-4 or (2) 250-1/0	(6) 3/0-14	38.7
DS3R-3-400-60	10 x 58 x 6	400A, 600V	(1) 600-4 or (2) 250-1/0	(6) 3/0-14	46.9
DS3R-3-400-72	10 x 70 x 6	400A, 600V	(1) 600-4 or (2) 250-1/0	(6) 3/0-14	55.2
DS3R-3-600-48	12 x 46 x 7	600A, 600V	(2) 600-4 or (4) 250-1/0	(6) 3/0-14	46.9
DS3R-3-600-60	12 x 58 x 7	600A, 600V	(2) 600-4 or (4) 250-1/0	(6) 3/0-14	78.8
DS3R-3-600-72	12 x 70 x 7	600A, 600V	(2) 600-4 or (4) 250-1/0	(6) 3/0-14	92.7

BUS BAR SPLITTER TROUGH

EEMAC 1, 3 & 4 Wire Series

Model #DBS

- EEMAC 1 enclosure
- Vented assembly
- Galvanized - unpainted finish
- Screw-on cover(s) with safety edges
- Aluminum continuous bus bars to 1200A
- ASA 61 grey powder coat finish if over 94" and over 1200A
- Minimum 50k braced - 100kA available

Options

- EEMAC 3R or 4 enclosures (consult factory)



3 Wire Splitter Model #	4 Wire Splitter Model #	Dimensions H x W x D (")	Rating
DBS-800-4-3W	DBS-800-4-4W	28 x 46 x 9	800A, 600V
DBS-800-5-3W	DBS-800-5-4W	28 x 58 x 9	800A, 600V
DBS-800-6-3W	DBS-800-6-4W	28 x 70 x 9	800A, 600V
DBS-800-8-3W	DBS-800-8-4W	28 x 94 x 9	800A, 600V
DBS-800-10-3W	DBS-800-10-4W	28 x 118 x 9	800A, 600V
DBS-800-12-3W	DBS-800-12-4W	28 x 142 x 9	800A, 600V
DBS-1000-6-3W	DBS-1000-6-4W	28 x 70 x 9	1000A, 600V
DBS-1000-8-3W	DBS-1000-8-4W	28 x 94 x 9	1000A, 600V
DBS-1000-10-3W	DBS-1000-10-4W	28 x 118 x 9	1000A, 600V
DBS-1000-12-3W	DBS-1000-12-4W	28 x 142 x 9	1000A, 600V
DBS-1200-6-3W	DBS-1200-6-4W	28 x 70 x 9	1200A, 600V
DBS-1200-8-3W	DBS-1200-8-4W	28 x 94 x 9	1200A, 600V
DBS-1200-10-3W	DBS-1200-10-4W	28 x 118 x 9	1200A, 600V
DBS-1200-12-3W	DBS-1200-12-4W	28 x 142 x 9	1200A, 600V
DBS-1600-6-3W	DBS-1600-6-4W	36 x 70 x 11	1600A, 600V
DBS-1600-8-3W	DBS-1600-8-4W	36 x 94 x 11	1600A, 600V
DBS-1600-10-3W	DBS-1600-10-4W	36 x 118 x 11	1600A, 600V
DBS-1600-12-3W	DBS-1600-12-4W	36 x 142 x 11	1600A, 600V
DBS-2000-6-3W	DBS-2000-6-4W	40 x 70 x 11	2000A, 600V
DBS-2000-8-3W	DBS-2000-8-4W	40 x 94 x 11	2000A, 600V
DBS-2000-10-3W	DBS-2000-10-4W	40 x 118 x 11	2000A, 600V
DBS-2000-12-3W	DBS-2000-12-4W	40 x 142 x 11	2000A, 600V
DBS-2500-6-3W	DBS-2500-6-4W	42 x 70 x 11	2500A, 600V
DBS-2500-8-3W	DBS-2500-8-4W	42 x 94 x 11	2500A, 600V
DBS-2500-10-3W	DBS-2500-10-4W	42 x 118 x 11	2500A, 600V
DBS-2500-12-3W	DBS-2500-12-4W	42 x 142 x 11	2500A, 600V
DBS-3000-8-3W	DBS-3000-8-4W	42 x 94 x 14	3000A, 600V
DBS-4000-8-3W	DBS-4000-8-4W	42 x 94 x 14	4000A, 600V
DBS-5000-12-3W	DBS-5000-12-4W	50 x 142 x 16	5000A, 600V

1.888.361.2370

www.dandytemppower.com





23-01

RECEPTACLE & DEVICE PLATES

Model #DP-C

Type 1



Type 2



Type 3



Shown is DP-C sized 6.25" x 34.5"

- Specifically designed interchangeable device maintaining plate for Dandy distribution panels and power centres
- 14 Gauge light coat galvanized finish complete with machine cut holes and factory tapped mounting locations
- All edges are beveled for safety and enhanced appearance
- Cutouts are designed for Nema standard
- Sized devices as shown below

Options

- Square blank off plates for the AR receptacle cutout sized 4 1/2" x 4 1/2" □
- Gasketing of device plate - EEMAC 3R □

EASY GRIP CABLE SUPPORT

Model #D-EZ-G

- Specifically designed as a hanger to manage and support portable power cords on construction and maintenance sites
- Easy to use (EZ) flexible clamping device allows for solid support to vertical or horizontal cable runs as in scaffolding, cat walks, guard rails etc. without use of tools
- Fits up to 5 qty. 4c12's SOOW, 3 qty. 4c6's and various mixed sizes to 4c2 in one quick and durable device
- No cable clamps are used so jacket damage or conductor shortage is prevented. Snagging damage is virtually eliminated.
- Unit is fully insulated thereby not requiring grounding and yet making the cable management safe, easy, fast and flexible for all types of requirements and cable sizes
- Clevis pin secures support to rail or scaffolding preventing accidental lift off
- Meets all applicable codes and safety standards



Model #	Mounting Style	Cable Size
D-EZ-G-SE	scaffold	* 5-4c12, 1-4c10 or 3-4c12, 2-4c12 or 1-4c8 2-4c6 SOW & various other sizes (consult factory)
D-EZ-G-SE-1	scaffold	* (3) 4c #4 to (2) 4c #2

* Quantity of cables to be supported varies somewhat based on type and flexibility of cables





23-01

WEATHERPROOF OUTLETS

45° RECEPTACLE HANDY HOOD™ SERIES DR45

HANDY HOOD DR45-RV-1 (SURFACE)

Model #DR45-RV-1

- Narrow retrofit angle hood and gasket only, designed to fit up to existing *VERTICAL* flush panel mount receptacles which have limited space between receptacles as in some portable power, panel mount systems or vertical FS boxes

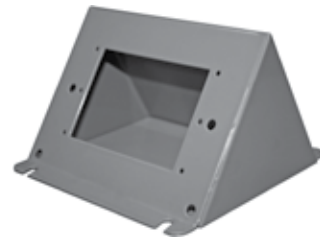


typical panel/pedestal mount

HANDY HOOD DR45-1 (SURFACE)

Model #DR45-1

- Basic angle hood and gasket only to mount to cabinetry, power centers etc. where hoods are required to meet CEC 26-702 and NEC 406-8)b) (1) for weatherproof robust extra duty



typical panel/pedestal mount

To meet new CEC rule #26-702 use our **NEW PATENTED RECEPTACLE ANGLE MOUNTING DEVICE.** Fully adaptable to all Dandy pedestals & FS boxes.

HANDY HOOD DR45 CAMLOCK

Model #DR45-E1016-5



typical panel mount

CAMLOCK PLATE

Model #CP-C





23-01

BREAKERS

We have the largest inventory of Siemens and ABB circuit breakers in Alberta.
Available from 15A to 4000A in all types of trips, with or without lugging.
Our product is new and fully CSA/UL certified.



**Model #B
125A**



**Model #Q
125A**



**Model #BQ
125A**



**Model #BQD
100A**



**Model #QR
250A**



**Model #FD
250A**



**Model #MD
400A**



**Model #JD/LD
400/600A**



**Model #SND
800/1200A**



**Model #EMAX 2
1600A**



**Model #EMAX 2
2000/2500A**



**Model #EMAX 2
3200/4000A**





23-01

RUBBER CORD & CABLE & CORD ENDS

Our product is new and fully CSA/UL certified



Model #RS0C50ADAP



Model #S-2711T



400A Camlock Tail E1016



50' 4W Twist-Lock



100' 3W4P



Female Tail



Male Tail



23-01

3R and EXPLOSION PROOF CORDS

- New and fully CSA/UL certified



**Model #SDC-HL-X
(Explosion proof)**



**50' 4/0 / cam 400
(3R Weatherproof)**



**30A 4C10 AWG 50' male tail
(APJ)
(3R Weatherproof)**

LED LIGHT

Model #LED-HL-24-CH

- Class1, Div 2 LED fixture rated NEMA 4X
- High efficiency +/- 4000 lumens
- Low profile fixture specifically designed to replace fluorescent T12, T8 and T5HO lighting
- Equipped with Crouse Hinds Class 1, Div 2 male and female cord ends to allow "daisy chaining" of fixtures
- Supplied with custom scaffold clamp assembly and rated safety lanyard



1.888.361.2370

www.dandytemppower.com





23-01

SPIDER - HAZARDOUS POWER SUBSTATION

Model #S-DUS-HL-25-HD-1

- EEMAC 3R enclosure Class 1 - Div 2 groups B, C, and D.
- Designed as a weatherproof, single phase, unit substation assembly complete with stepdown transformer and low voltage distribution section for portable power use
- Rain proof and sleet resistant for outdoor use
- Cage style suitable, heavy duty, portable use complete with fork lift pockets for pallet jack use and four top lifting hooks
- Full roof provides maximum weather resistance and has soft machined corners for maximum safety
- Factory prewired unit substation
- Aluminum construction complete with safety yellow powder coat finish body and black cage/base
- Doors are hinged and gasketed complete with padlockable clasps
- Transformer has primary for 480V or 600V supply as ordered, or dual voltage 600/480V and easy tap change terminals
- 50' supply cable has separate cell, cable hanger and padlockable security door
- Fully CSA/UL certified assembly

Note

- Available in 30kVA, 45kVA & 75kVA three phase series



Model #	Cabinet Size c/w Cage HxWxD ("")	Phase	Wire	Transformer	
				Pri.	Sec.
S-DUS-HL-25-HD-1	68 x 40 x 42	1	3	600/480	120/240



23-01



SPIDER - HAZARDOUS DUTY POWER CENTRE

Model #SF-M-HL-1

- EEMAC 3R weatherproof assembly Class 1 - Div 2 groups B, C, and D for indoor or outdoor use
- Specifically designed as a mid capacity sub distribution for industrial construction sites where portable assemblies are required and exposure to hazardous gases may occur. Ideal for pre shut down or hot work application
- Assembly is rugged, cost effective and lightweight
- Ideal for refineries, oil sand sites etc.
- Marine grade aluminum welded, powder coat safety yellow assembly makes units lightweight extremely durable, visible and tough
- 3-2P30A circuit breakers c/w 30A 2P+N+G 120/240V Meltric to feed remote masters and 1-1P20 GFCI 5mA circuit breakers c/w 15/20A 120V receptacle allow for feeder to slave and power bar
- Supply cord has 6' 4c8 tail, cable grip and Class 1 Div 2 male cord end as Meltric #22-68167 and makes for quick, easy rigid connection
- Assembly is rated 60A - 120/240V 1PH 3W ground and 10kAIC Class 1 - Div 2 groups B, C and D. EEMAC 3R is CSA/UL certified

Notes

- 120V Receptacle is adoptable to Killark or Appleton

Model #	Qty of CB's	Qty of Receptacles	Rating	Dimensions HxWxD (")
SF-M-HL-1	3	3	30A - 120/240V - 3W & Grd Class 1 - Div 2 Groups B, C & D	39 x 13 x 9
	1	1	20A - 120/240V - 2W & Grd Class 1 - Div 2 Groups B, C & D	

SPIDER - HAZARDOUS DUTY POWER CENTRE

Model #SF-S-HL-1

- EEMAC 3R weatherproof assembly Class 1 - Div 2 groups B, C, and D for indoor or outdoor use
- Specifically designed for industrial construction sites where portable assemblies are required and exposure to hazardous gases may occur. Ideal for pre shut down or hot work application
- Assembly is rugged, cost effective and lightweight
- Suitcase quick portable design
- Ideal for refineries, oil sand sites etc.
- Marine grade welded aluminum, heavy duty powder coat safety yellow assembly makes units lightweight extremely durable, visible and tough
- Patented universal mounting ears are adaptable, secured by two heavy duty clevis pins - draw type and fitted with 2 qty. 7/8" lifting holes
- Vented exterior full piano hinged door has safety machine formed corners and no sharp edges. Door has padlockable clasp closers with guard rail for protection. Assembly is designed to provide superb protection from ice, snow rain etc. and is self-vented.
- Supply cord has 6' 4c10 tail, hub, cable grip and Class 1 Div 2 male receptacle (as Meltric #22-38076 (20A) 120/240V 2P + N + G) EEMAC 3R complete with cap



Model #	Qty of CB's	Qty of Receptacles	Rating	Dimensions HxWxD (")
SF-S-HL-1	3	3	20A - 120/240V - 4W & Grd Class 1 - Div 2 Groups B, C & D	19 x 14 x 8

1.888.361.2370

www.dandytemppower.com





23-01

SPIDER - HAZARDOUS COMPACT POWER BAR

Model #S-PB-HL-2



- EEMAC 3R enclosure - Class 1 Div 2 (zone 2) groups B, C and D assembly
- Specifically designed as a heavy duty, compact receptacle assembly for use as portable or wall attachment as required for reliable safe construction power
- Solidly welded and gasketed aluminum enclosure. 8 Guage assures lightweight durability and strength
- Two 15/20A 120V 15/20R receptacles are fitted with hinged weatherproof spring covers which supply a degree of protection to the receptacles
- Individual cover and body stainless steel ground studs enhance proper permanent assembly circuit grounding/bonding
- Kellum grip cable clamp prevents likelihood of supply cable pull out
- Front device cover has safety soft machine formed edges for personnel safety and cabinet strength
- Fastening screws are stainless steel with inserts to aluminum body for strength and durability
- Top handle has two mounting holes and provision for easy and safe handling complete with safety cable
- Fully CSA/UL certified

Notes

- When used for construction projects, to be code compliant 15/20A - 120V receptacles must be protected by 5mA GFCI protector (see CEC 76-016)
- Assemblies are rated B, C and D for -25°C to +55°C and C and D only at -50°C to +55°C

Model #	Standard Receptacles	Rating	Dimensions HxWxD (")
S-PB-HL-2	2 Qty. 20A #5-20R	120/240V Max. 20A	7 x 13 x 3

SPIDER - HAZARDOUS DUTY POWER BAR

Model #S-PB-HL-3

- EEMAC 3R enclosure
- Specifically designed as a heavy duty receptacle assembly for portable or fixed use where wall or scaffold attachment is required for reliable safe construction power
- Solidly welded and gasketed aluminum enclosure. Ideal for shut downs or hot work applications. 8 Guage assures lightweight durability and strength
- Three 15/20A 120V Hazardous PowerGuard receptacles are fitted with hinged weatherproof covers which supply a degree of protection to the receptacles
- Individual cover and body ground studs enhance proper permanent assembly circuit grounding/bonding
- Kellum grip cord wire clamp prevents supply cable pull out
- Front device cover has safety soft machine formed edges for personnel safety and cabinet strength
- Fastening screws are stainless steel with inserts to aluminum body for strength and durability
- Fully CSA/UL certified

Notes

- When used for construction projects, to be code compliant 15/20A - 120V receptacles must be protected by 5mA GFCI protector (see CEC 76-016)
- Assemblies are rated B, C and D for -25°C to +55°C and C and D only at -50°C to +55°C



Model #	Standard Receptacles	Rating	Dimensions HxWxD (")
S-PB-HL-3	3 Qty. 20A #5-20R	120/240V Max. 20A	8 x 23 x 3

1.888.361.2370

www.dandytemppower.com



HAZARDOUS POWER DISTRIBUTION

**Quick Connect style, compact and rugged, portable power style
Hazardous Location Kit system**

Master Scaffold Mount

Model #SF-M-HL-1 60A 120/240V scaffold mounted complete with 1 qty 15/20A GFCI receptacle & 3 qty 30A 120/240V feeder receptacles (for slaves)

Unit Sub

Model #S-DUS-HL-25-HD-1

1 qty 30A 125/250V (e.g. for rod oven slave etc.)

8 qty 15/20A GFCA 5ma 120V receptacles (for local power)

3 qty 60A 3P+N+GRD receptacles (for 3 master)

4c8 + 60A

APJ
4c8 'P' (50')

typical extension cords Model #SDC-HL-X

Kit consists of following class 1-div 2 groups B, C & D distribution & cords

- 1 Qty model #S-DUS-HL-25-HD-1 Unit Sub - skid mounted complete with 50' line cord
- 2 Qty model #SF-M-HL-1 Master Suitcase Distribution - scaffold mounted complete with two 50' & four 100' loose cord sets
- 6 Qty model #S-PB-HL-3 Ugly Stick Power Bar - scaffold mounted complete with six 50' & six 100' loose cord sets
- 12 Qty model #S-PB-HL-3 Ugly Stick Power Bar - scaffold mounted complete with twelve 50' loose cord sets (Cord sets are model #SDC-HL-X)

NOTES: Crouse Hinds 120V receptacles mate to Killark and Appleton. Available in 30kVA, 45kVA & 75kVA three phase series

30A 120/240V HL receptacle & 6' cord

Slave

Model #SF-S-HL-1 30A 120/240V complete with 3 qty 20A 120V 5ma GFCI circuit breakers & receptacles

4c12

15/20 ENP

3c12 (3')

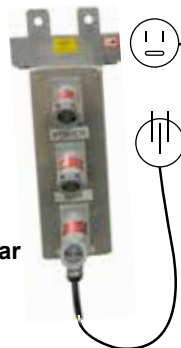
3c12



portable cords in 50' or 100' lengths

Ugly Stick Power Bar

Model #S-PB-HL-3
3-15/120A 120V HL angle mounted & 3' cord & plug



LED Light
Model #LED-HL-24-CH



23-01

A.C. DANDY SUBSTATIONS

We have Canada's largest inventory of sale and rental equipment. Whether you're looking for stock or custom built units, A.C. Dandy's power division is your source and solution for all fixed, portable and low-profile unit substations.

Specifically designed high capacity, high voltage, power distribution centres.

See us for ground fault NGR's for mining etc.



Model #S-PHV-US-5-750KVA complete with primary fused disconnect, 750kVA 4160V transformer and 600/347V CDP



Model #S-PHV-US-34kV-2MVA complete with primary disconnect, 34,500V transformer and 4160V secondary sub distribution



Model #S-PDC-TP-R
Quick Connect Breaker Sub Distribution
1200A- 600/480/208V



Model #DAS
Auto Select Load Transfer
200/400A - 208/240/480/600V



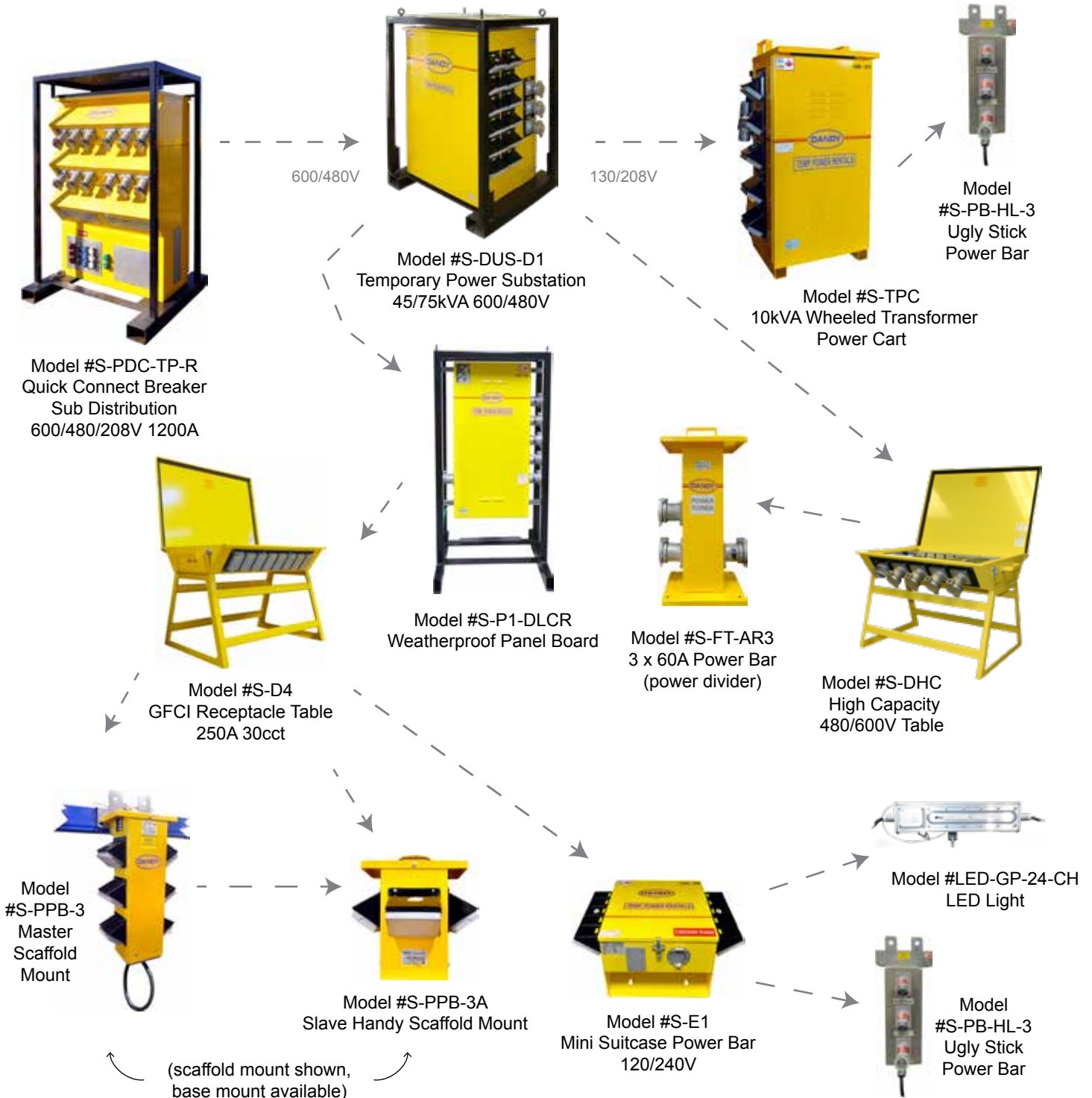
Model #D-GFR-NGR
Neutral Grounding
Resistor and Monitor
277/347V



23-01

GENERAL PURPOSE QUICK CONNECT STYLE

Specifically designed as a full package, medium capacity 600/480-120/208V power distribution system. Fully CSA Certified and code compliant



8

1.888.361.2370

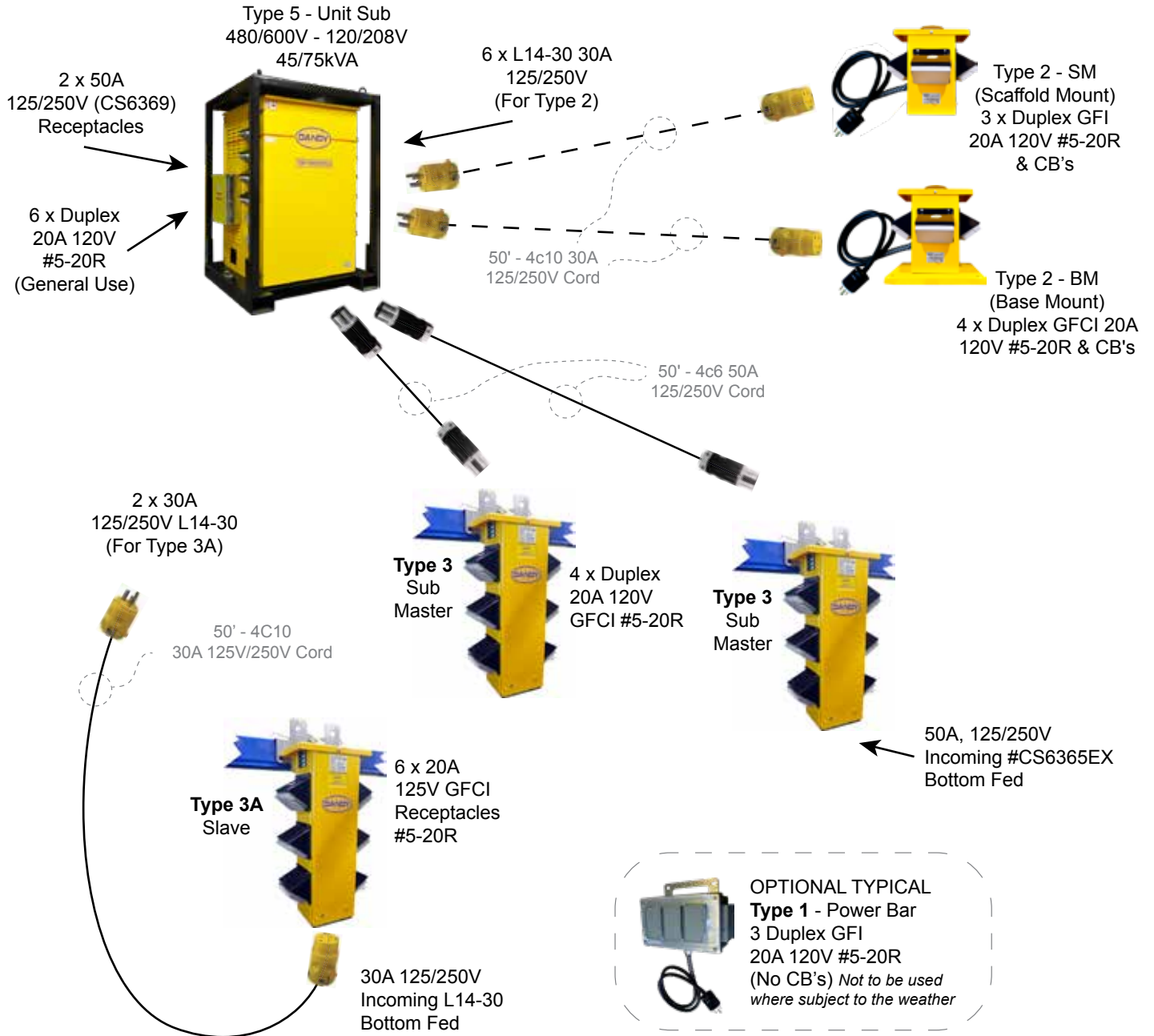
www.dandytemppower.com





23-01

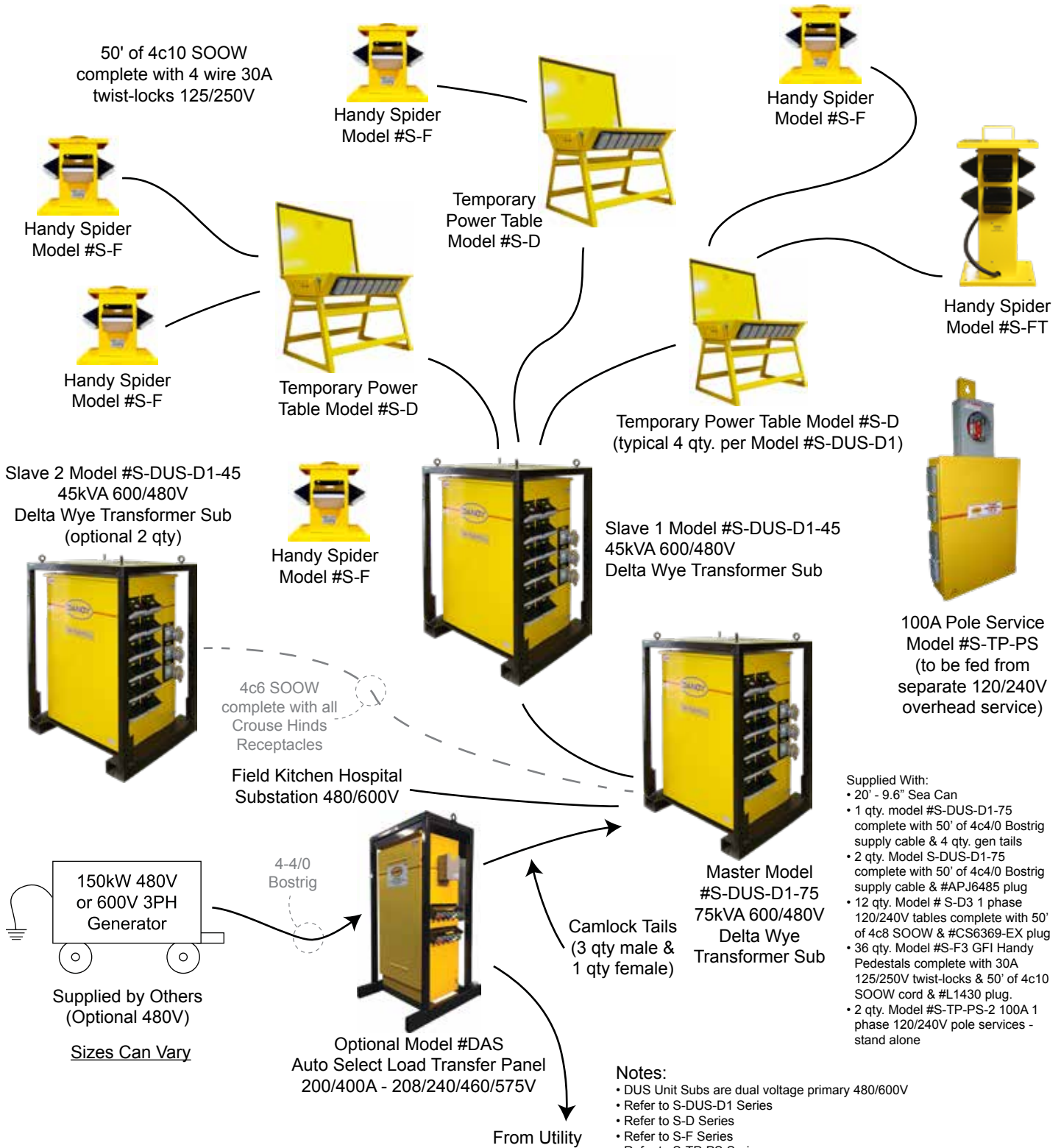
GENERAL PURPOSE PORTABLE POWER MASTER LAYOUT





23-01

TYPICAL QUICK DEPLOYMENT DISASTER RESPONSE - FIRST OUT ONE



- Supplied With:
- 20' - 9.6" Sea Can
 - 1 qty. model #S-DUS-D1-75 complete with 50' of 4c4/0 Bostrig supply cable & 4 qty. gen tails
 - 2 qty. Model #S-DUS-D1-75 complete with 50' of 4c4/0 Bostrig supply cable & #APJ6485 plug
 - 12 qty. Model #S-D3 1 phase 120/240V tables complete with 50' of 4c8 SOOW & #CS6369-EX plug
 - 36 qty. Model #S-F3 GFI Handy Pedestals complete with 30A 125/250V twist-locks & 50' of 4c10 SOOW cord & #L1430 plug.
 - 2 qty. Model #S-TP-PS-2 100A 1 phase 120/240V pole services - stand alone

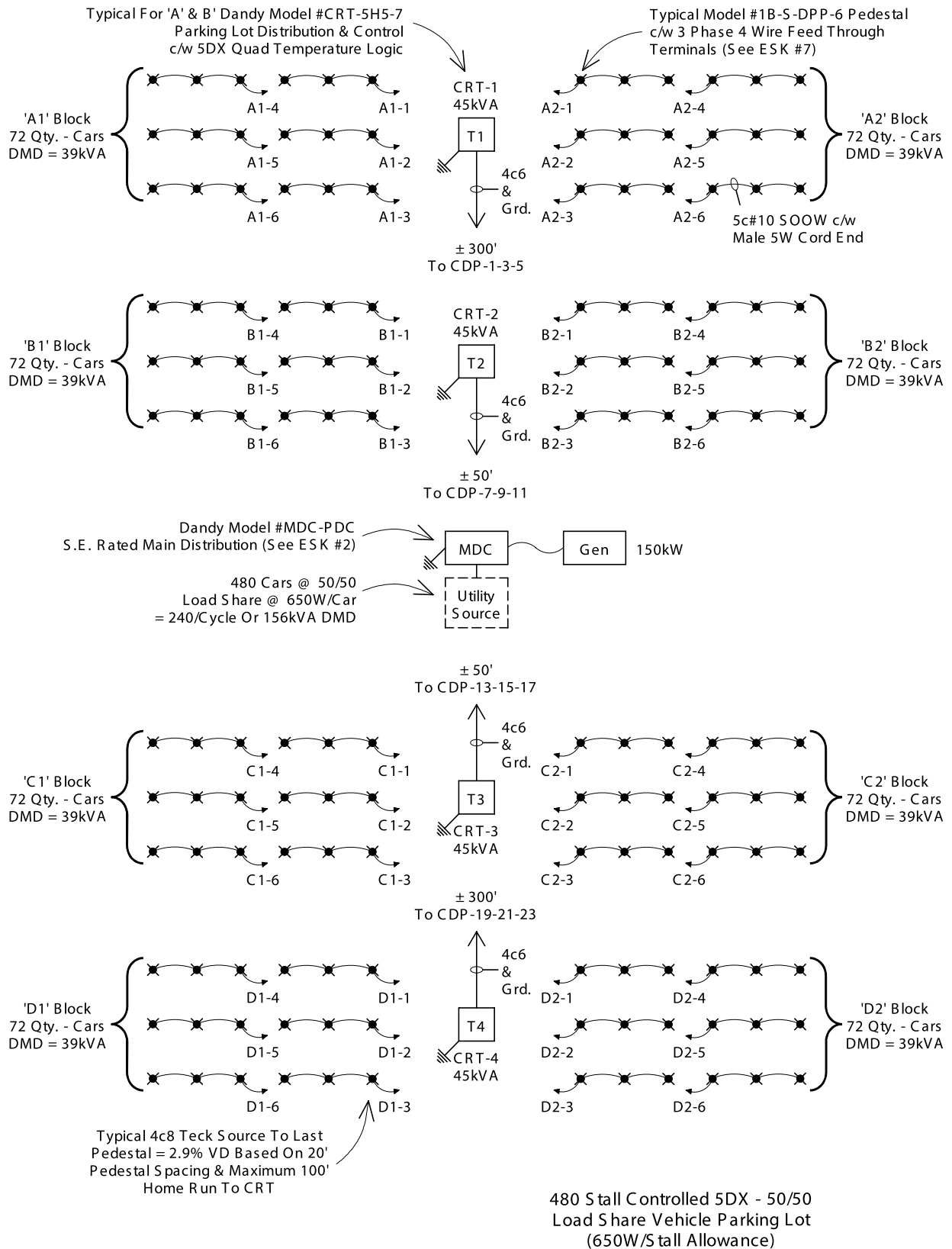
- Notes:
- DUS Unit Subs are dual voltage primary 480/600V
 - Refer to S-DUS-D1 Series
 - Refer to S-D Series
 - Refer to S-F Series
 - Refer to S-TP-PS Series
 - First Out One is designed as an initial power response package to get the power on & can be used jointly with Dandy Maxi Series
 - Be sure voltage of source matches the unit's rating

1.888.361.2370

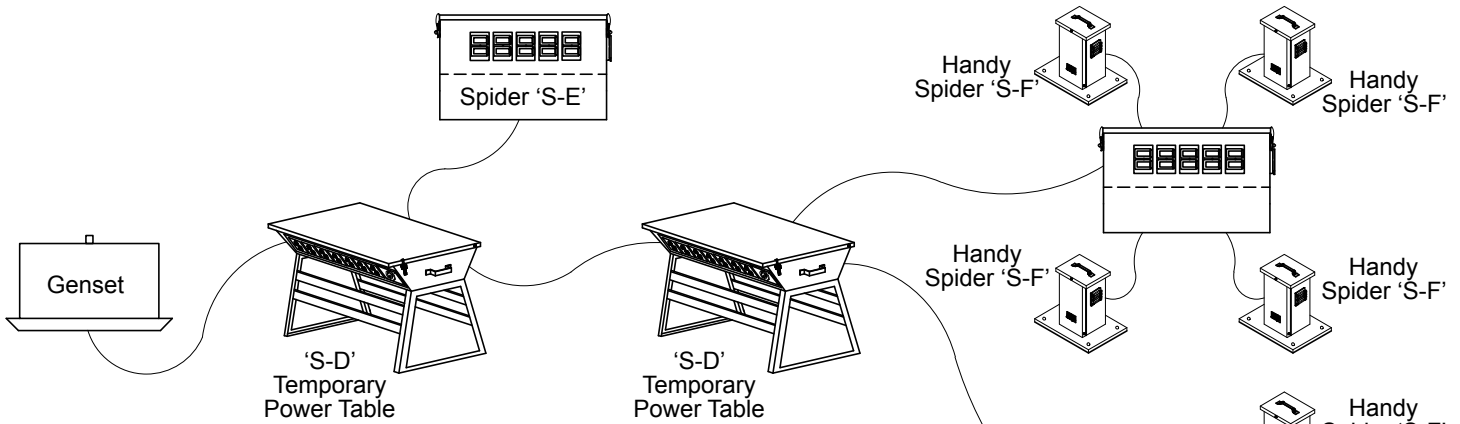
www.dandytemppower.com



Typical Automated Parking Lot Layout Site



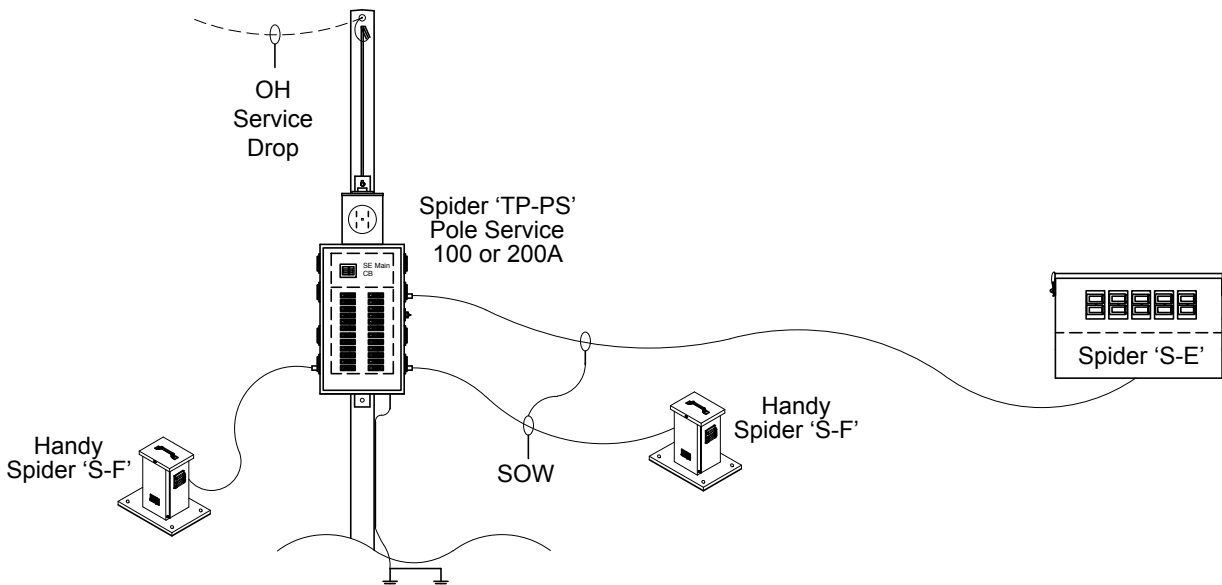
Typical Disaster Shelter Temporary Power 120/208V



These systems are specifically designed to supply safe, reliable, and fast power for quick response situations. Ideal for tent camps and temporary shelters such as gymnasiums, arenas, etc. This system's components plug into each other for ease of use without the requirement of qualified electricians. A compact, heavy duty design allows for quick and easy transportation, has provision for cable stowaway, is stackable for compact storage and is acceptable for interior or exterior use.

Typical Small Construction Site Temporary Power

The temporary pole service is a heavy duty, reusable, CSA certified, weatherproof, service entrance rated, metered distribution panel that easily adapts to spider 'S-E' & 'S-F' job site portable power centres.

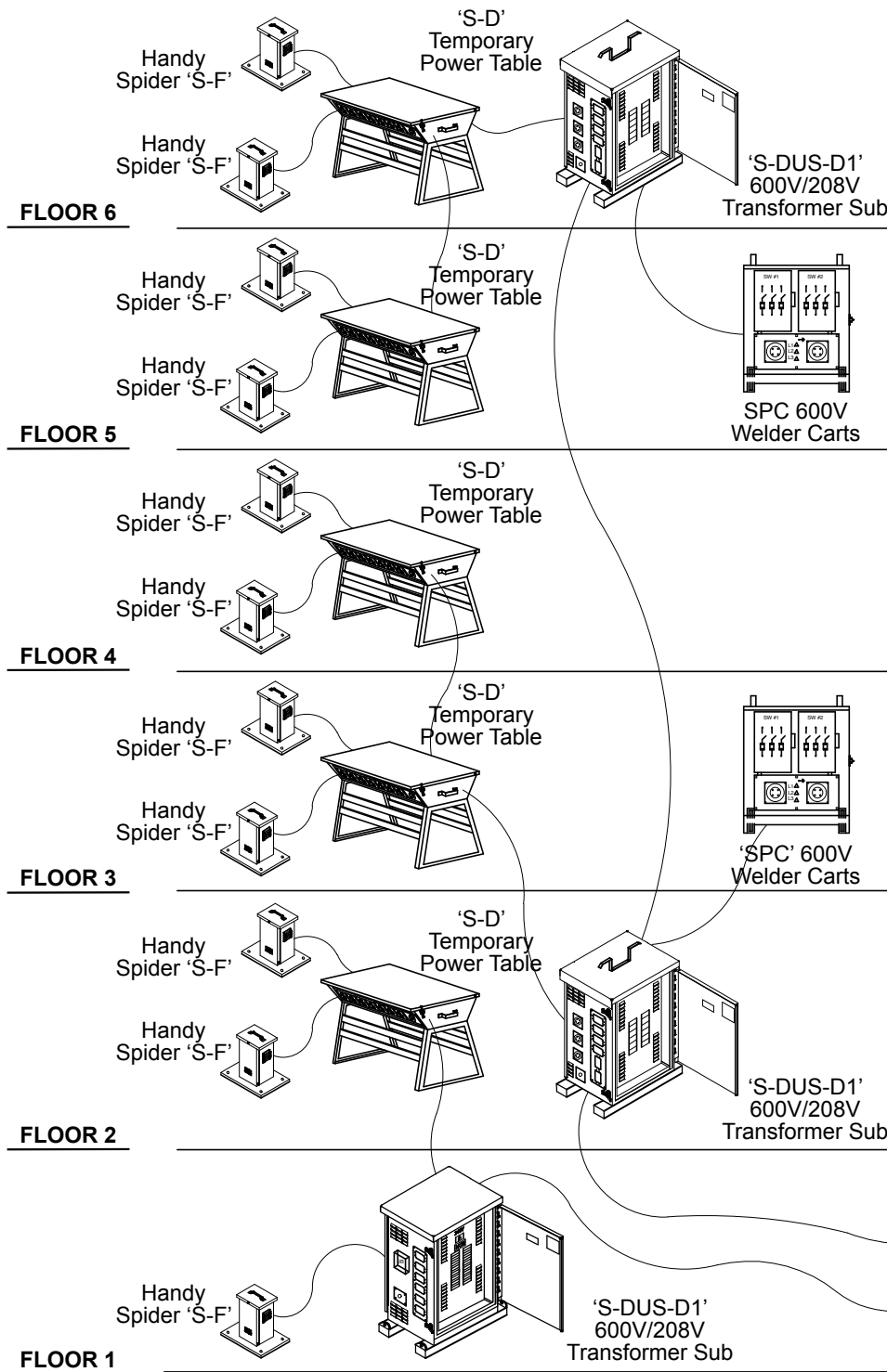


8



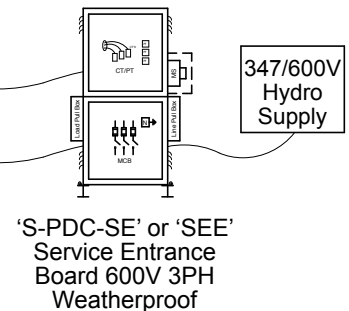
23-01

Typical High Rise Distribution Configuration 600V



Typical Equipment Layout

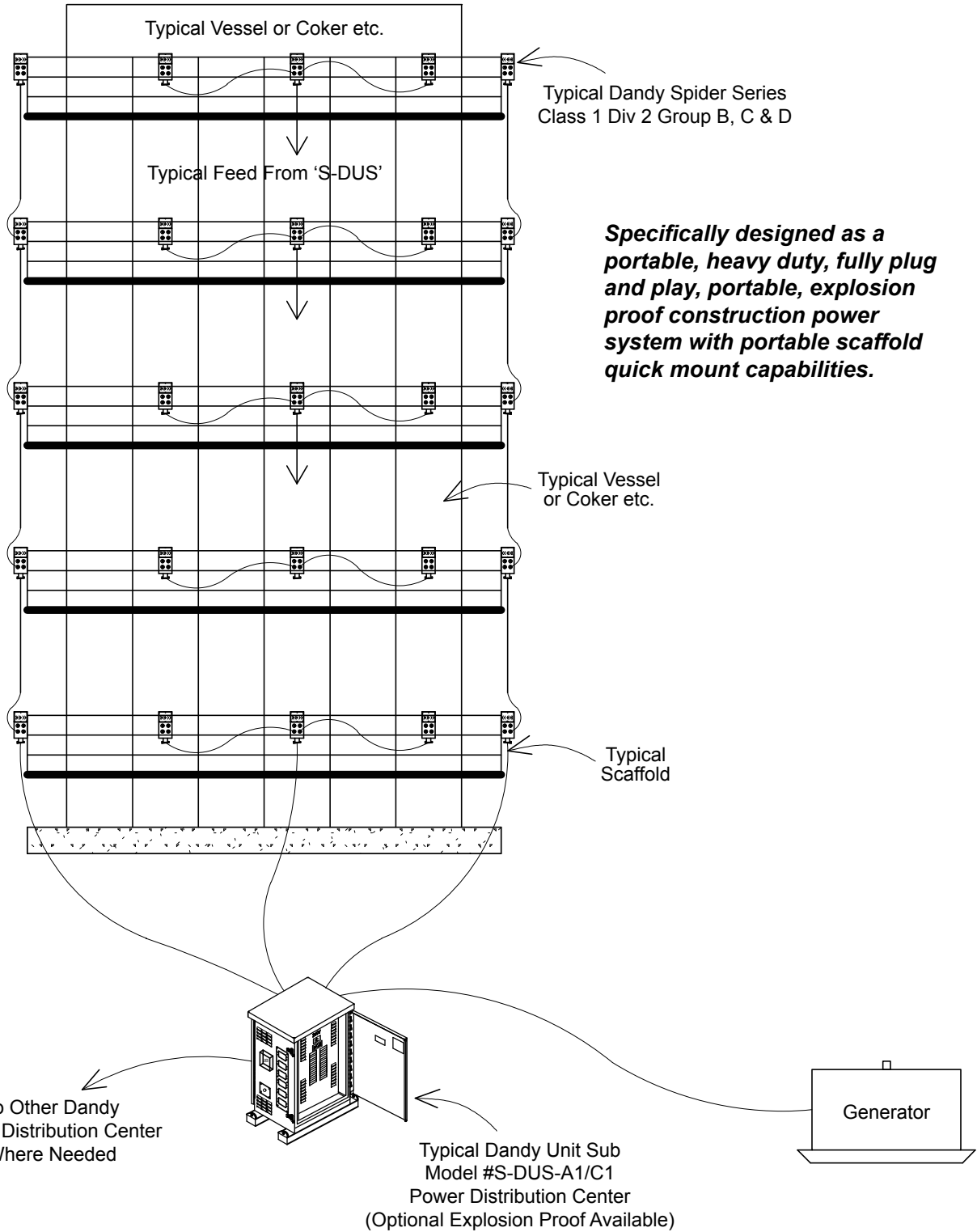
Specifically designed to go from floor to floor as construction proceeds. Compact design allows for relocation through elevation and stairwells. Daisy chain connection principle makes connection and relocation easy. Main service entrance rated board is utility acceptable and available in 600, 480, 208V 3PH or 240V 1PH styles. All are weatherproof and are padlockable.





23-01

Typical Scaffolding/Site Explosion Proof Power Systems



8





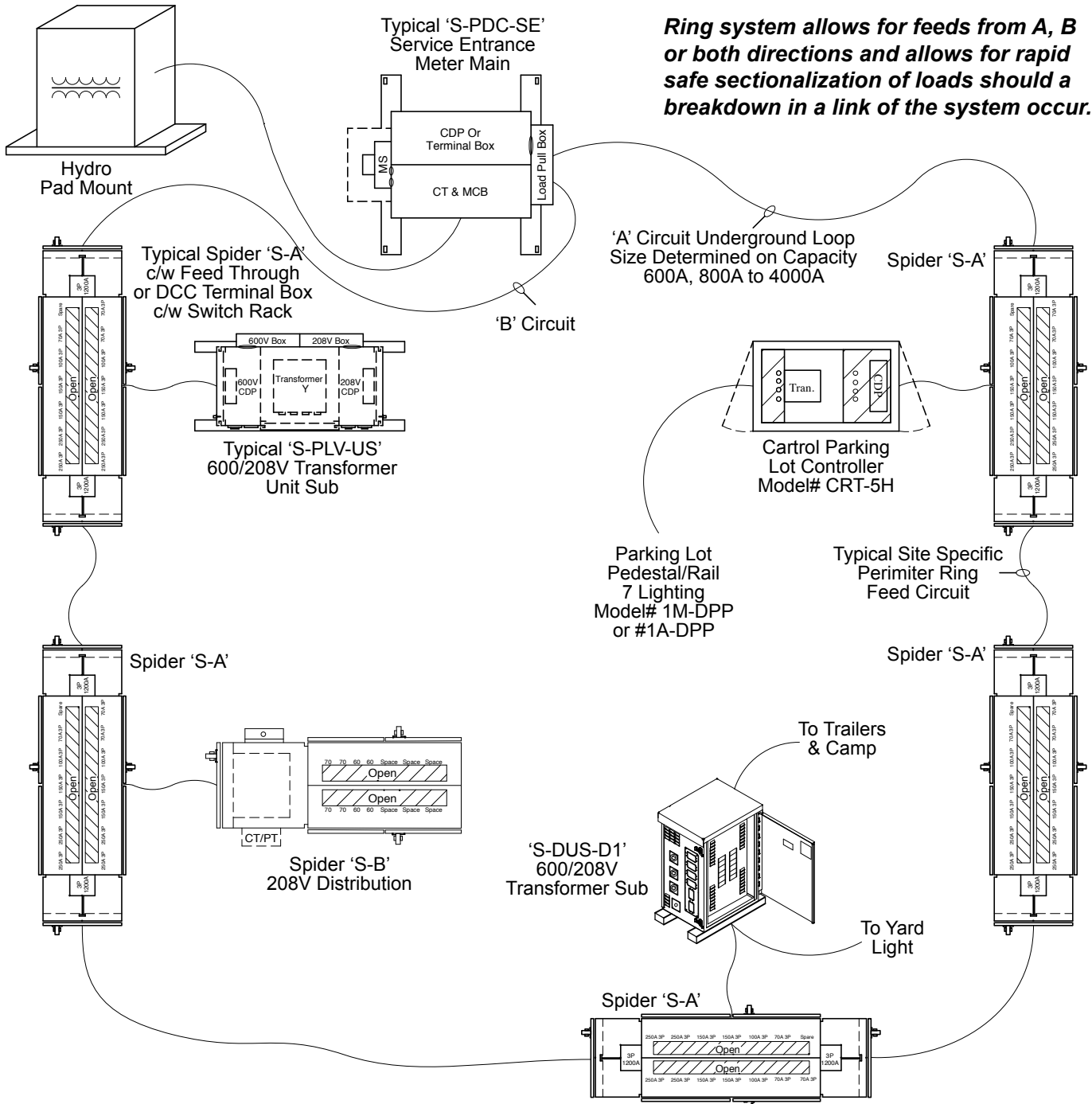
23-01

Typical Layout For Ring Feed Construction Power Systems

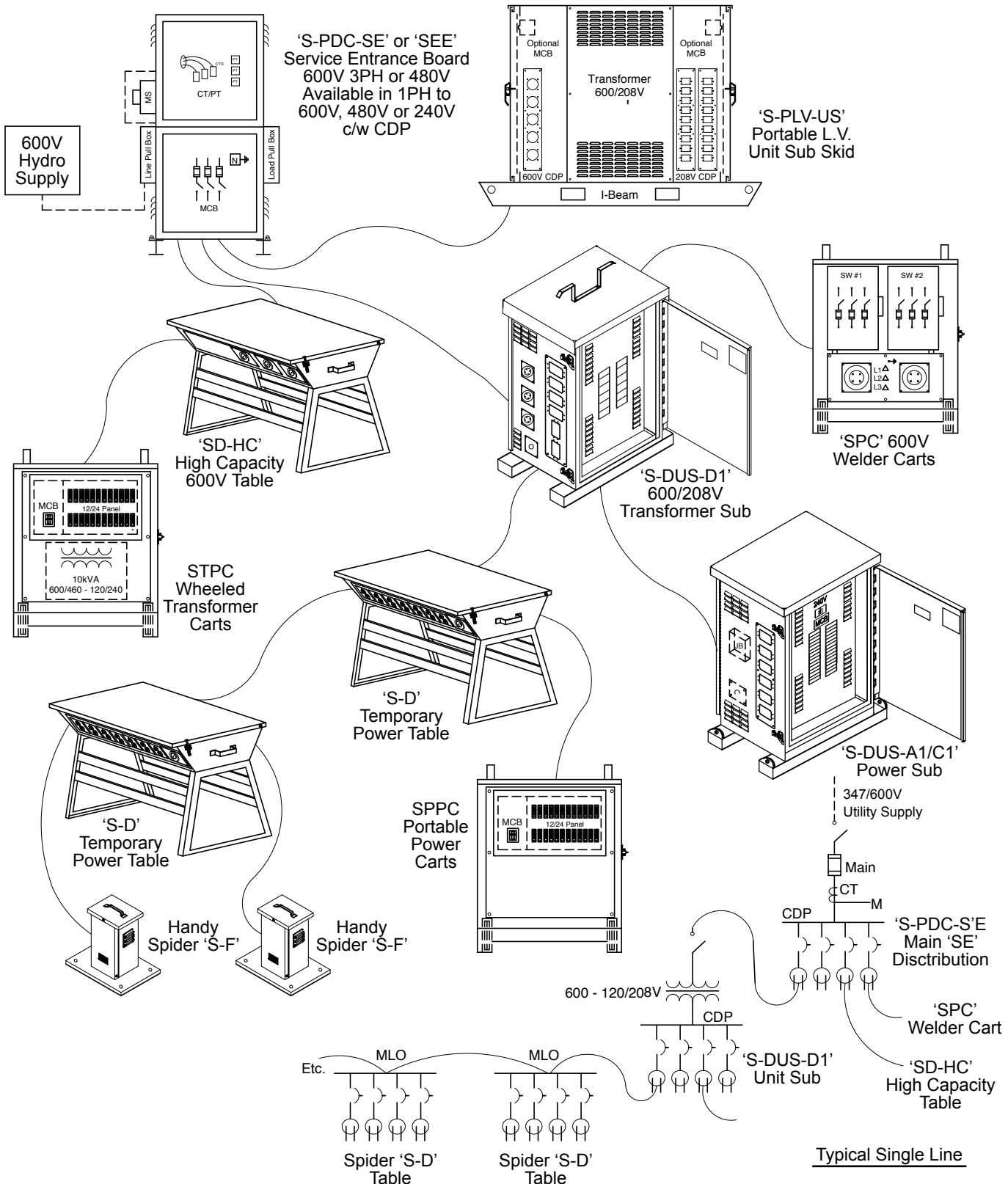
Shown is 600V
Available in 25kV, 4160V, 600V
or 480V Alternatives

*Specifically designed as a large project,
flexible distribution system where various
loads can be easily connected and quickly
altered throughout the site.*

*Ring system allows for feeds from A, B
or both directions and allows for rapid
safe sectionalization of loads should a
breakdown in a link of the system occur.*

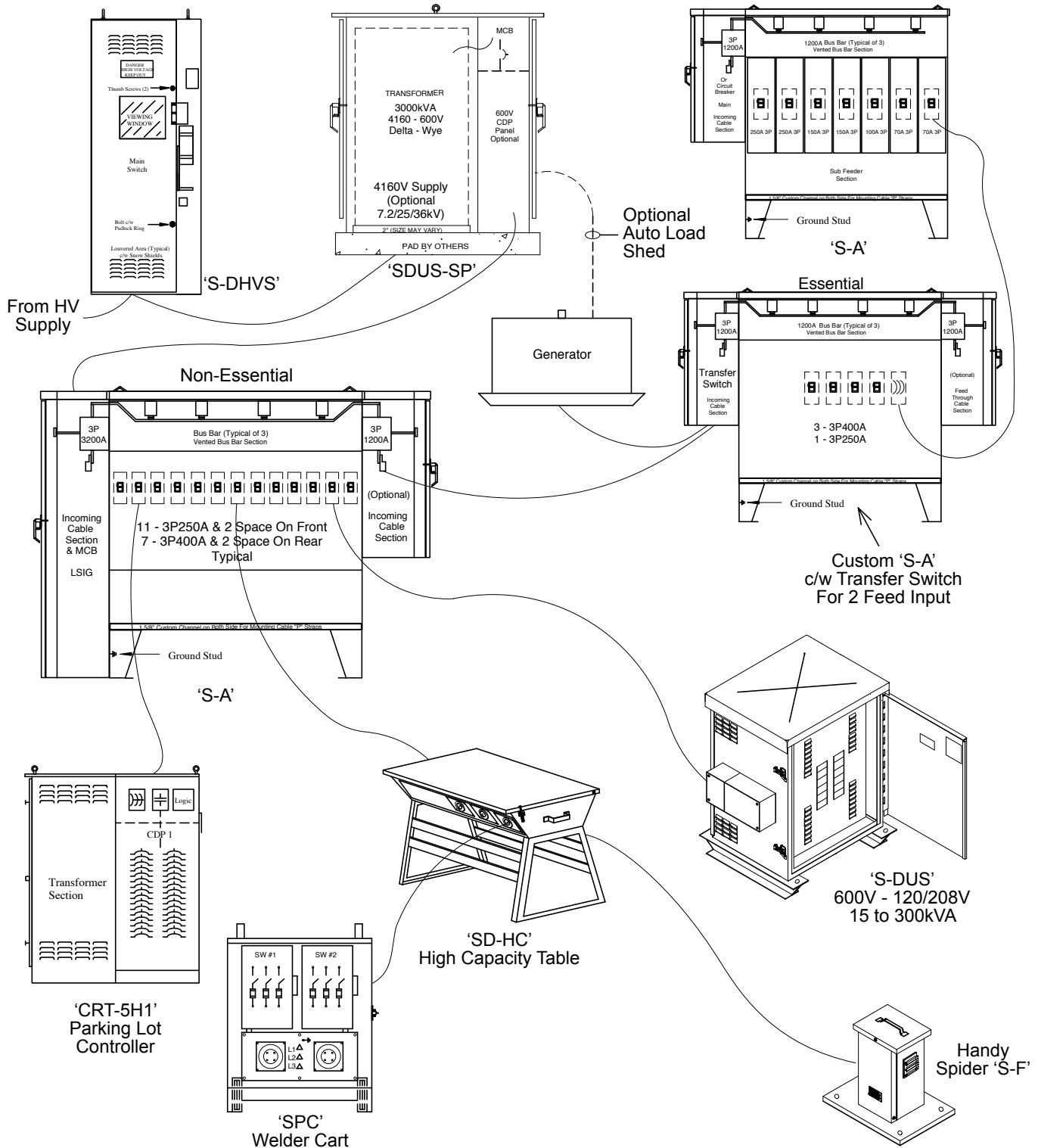


Typical Layout For Mid-Sized 600V Construction Power

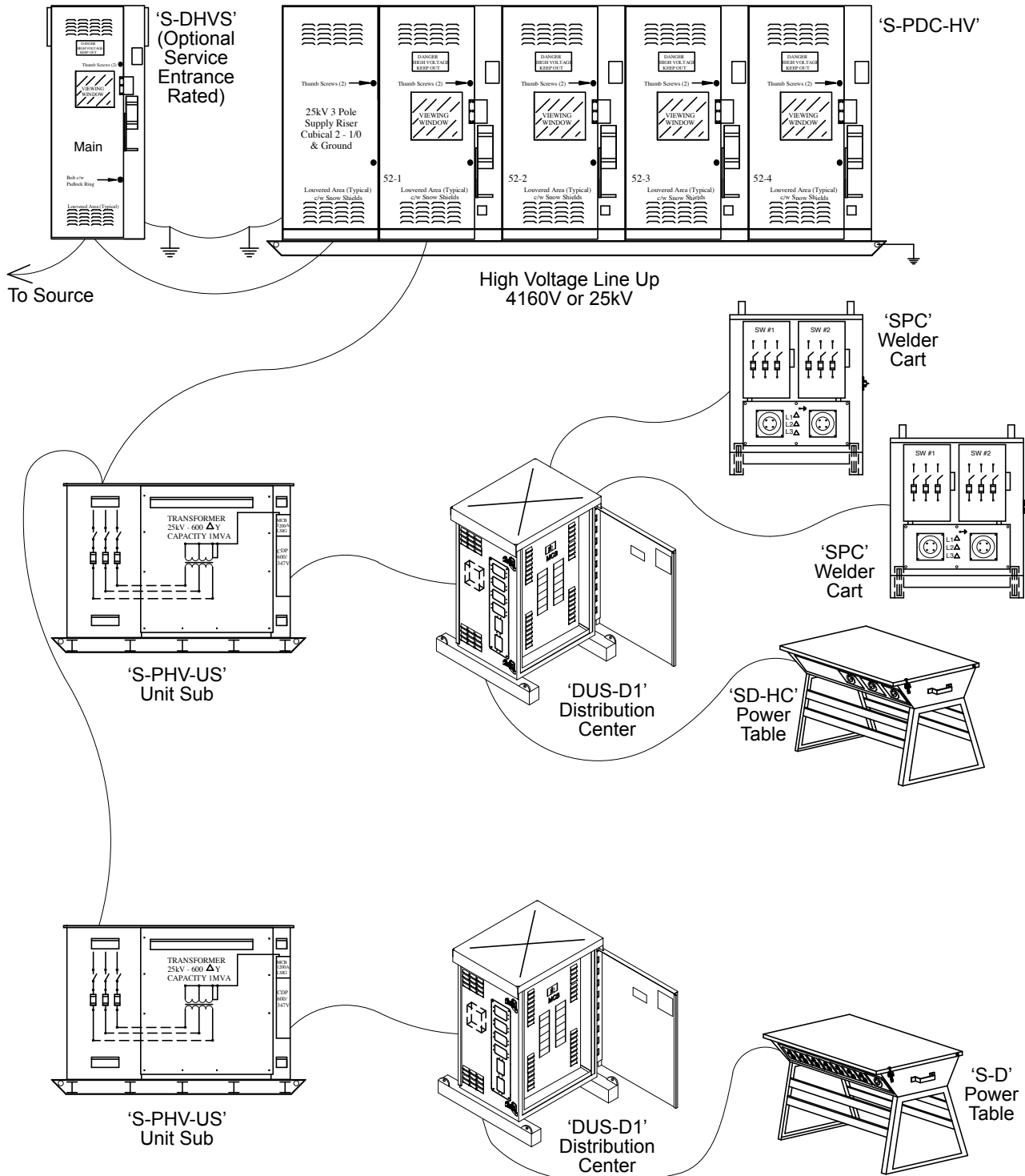


8

Typical Layout For Mid-Sized 4160V Construction Power



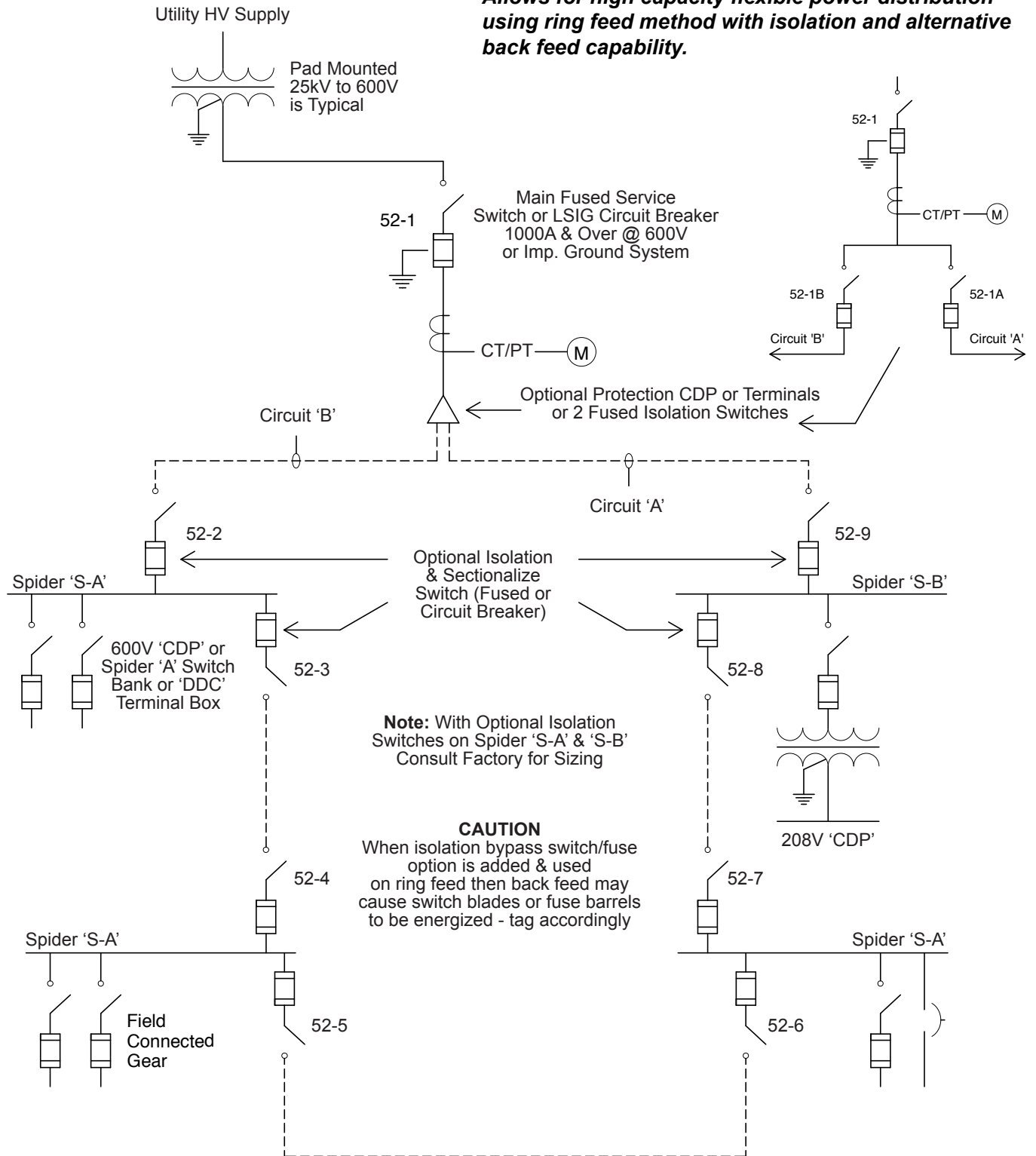
Typical Layout For Major Construction Power



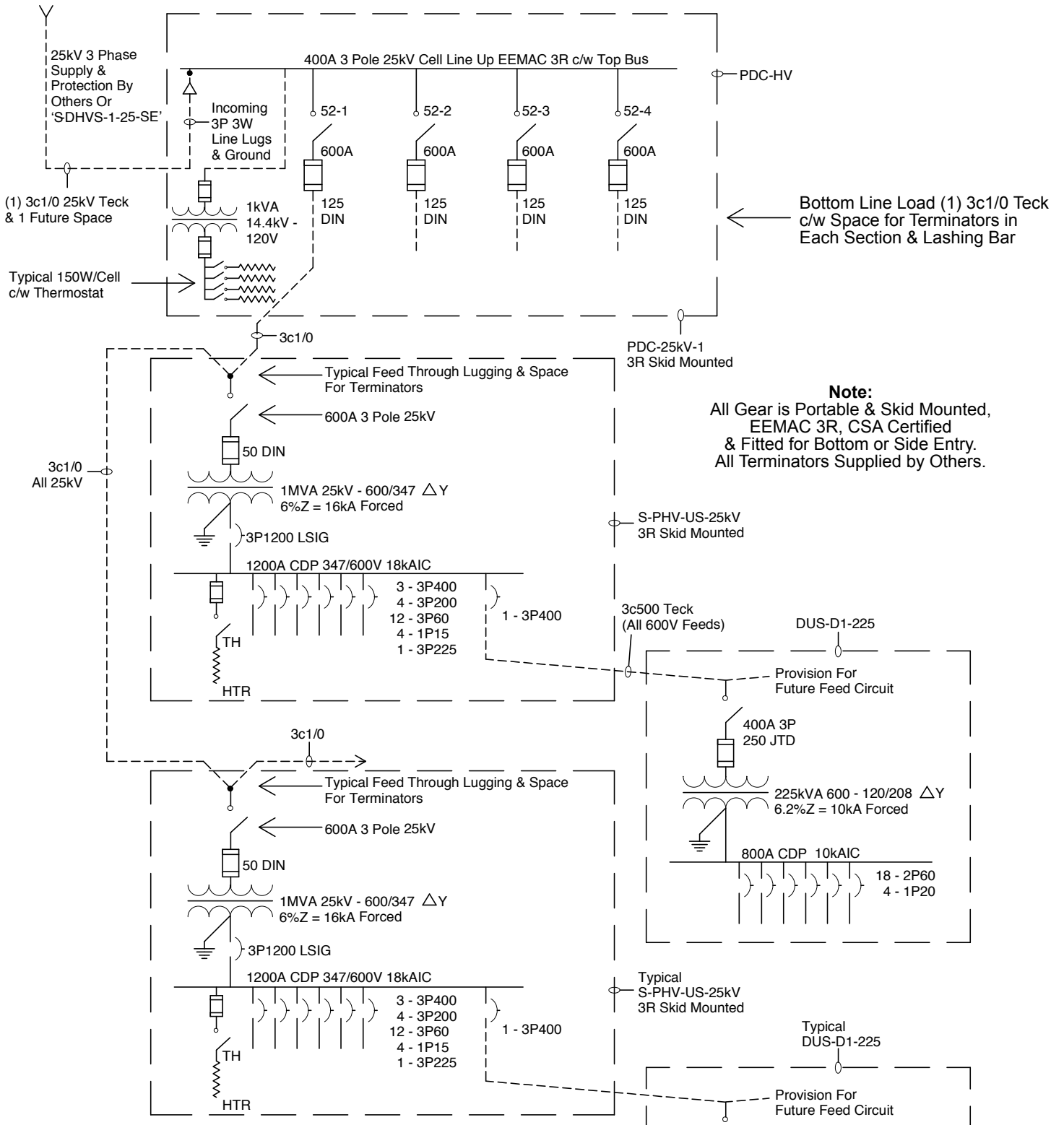
Available in 5, 25 or 34 kV configurations and skid or pad mounted style

Typical Single Line For Ring Feed Construction Power

Allows for high capacity flexible power distribution using ring feed method with isolation and alternative back feed capability.



Typical Single Line For Major Construction Power



Note:
All Gear is Portable & Skid Mounted,
EEMAC 3R, CSA Certified
& Fitted for Bottom or Side Entry.
All Terminators Supplied by Others.



INDEX

23-01

1C-DPP	30
1FP-DPP	27
1J-DPP	29
1JJ-C-DPP	29
1JJ-DPP	29
Breakers	34
Cords & Cables	35,36
CP-C	33
CRT-5H1	28
DAS	22
DBS	31
D-EZ-G	32
D-GFR/NGR	17
D-LM	28
DP-C	32
DR45-1	33
DR45-E1016-5	33
DR45-RV-1	33
DRB-1	30
DS3R	31
DSTB-P	11
DTS	24
DTS-RB	23
DTS-TB1SR	26
DUS-A1	18
DUS-AA	19
DUS-B1	18
DUS-BB	19
DUS-C1	18
DUS-D1	18
GTS	23
GTS-1	25
LED-HL-24-CH	36
LEVC-1-30	27
LEVC-FP-1	27
S-A	12
S-AA	12
Schematics	
Hazardous Power Distribution	40
Portable Power	43
Quick Connect Style	42
Quick Deployment	
Disaster Response	44
Substations	41
S-D	6
S-DCB	26
S-DFDS-3R	25
S-DHC	7
S-DHVS	20
S-DT-BOX	5
S-DTS-1200-CUBE	24
S-DUS-A1	14
S-DUS-AUTO	16

S-DUS-C1	14
S-DUS-D1	14
S-DUS-E	13
S-DUS-HL-25-HD-1	37
S-E1	6
S-F	2
SF-M-HL-1	38
SF-S-HL-1	38
S-FT	2
S-HVS-2-X	21
S-MCB-NGR	17
S-P1-DLCR	10
S-PB-HL-2	39
S-PB-HL-3	39
S-PPB-4	4
S-PB-GP-4	3
S-PC	9
S-PDC-HV	21
S-PDC-TP	10
S-PDC-TP-R	11
S-PP-G-4	4
S-PPB-3	3
S-PPC	8
S-PPC-HD	8
S-PPC-SP-2	7
S-PT-AR3	5
S-TPC	9
S-TPS	13
S-US-M1	15
S-US-M2	15
S-US-M3	16

Typical Layouts

Automated Parking Lot Site	45
Disaster Shelter Temporary	
Power 120/208V	46
High Rise Distribution	
Configuration 600V	47
Major Construction Power	52
Mid-Sized 600V Construction	
Power	50
Mid-Sized 4160V Construction	
Power	51
Ring Feed Construction	
Power Systems	49
Scaffolding/Site Explosion	
Proof Power Systems	48
Single Line for Major	
Construction Power	54
Single Line for Ring Feed	
Construction Power	53
Small Construction Site	
Temporary Power	46



23-01

NOTES

Terms of Sale*

Payment Terms - Net 30 days from shipment date.

Prices - All goods invoiced at price in effect at time of shipment. Pricing is net, taxes not included. A.C. Dandy Temp Power reserves the right to adjust pricing without notice.

Minimum Billing - Orders less than \$250.00 will be invoiced at \$250.00 plus transportation. All prices are in Canadian dollars.

Specification - Specifications, features and equipment shown are believed to be correct at the time of printing. A.C. Dandy Temp Power reserves the right to make changes in colour, specifications, materials, design, sizing and model at any time without notice or obligation. Where utility and electrical inspection are required, it is the purchasers responsibility to obtain approval prior to ordering.

Guarantee - A.C. Dandy Temp Power guarantees that the products are free from defects in material and workmanship for one year from the date of purchase. This guarantee applies to product replacement upon receipt and inspection of the defective product.

Warranty - A.C. Dandy Temp Power warranties products for one year from date of shipment. Defective product must first be returned prepaid to A.C. Dandy Temp Power for inspection. Misapplied or modified products are excluded. Warranty is for replacement of the product and is limited to replacement of materials excluding freight, labour etc.

Claims - All claims must be forwarded in writing within two working days to A.C. Dandy Temp Power.

Cancellation - A cancellation fee of minimum 25% and maximum 100% will be charged dependent on design, engineering, materials purchased and production costs.

Freight Terms - All shipments will be collect. F.O.B. is the Wetaskiwin facility. A.C. Dandy Temp Power Ltd. can only deliver to curb side truck accessible locations. Unloading is the responsibility of the receiver. Proper preservation is the responsibility of the purchaser.

Freight Damage - All shipments are F.O.B. A.C. Dandy Temp Power facility - any freight-damaged goods are the responsibility of the purchaser. Claims must be directed to the carrier.

Freight Carrier - Unless specifically directed on the purchase order, the freight carrier will be selected by A.C. Dandy Temp Power. When shipments are prepaid, A.C. Dandy Temp Power will select the carrier.

*Terms of Sale subject to change after date of publication - refer to www.dandytemppower.com for the most up to date information



“MAXI” TEMPORARY POWER TABLE S-D Series

Portable table with breakers
and multiple receptacles.

If you're looking for something special or need assistance with your design just ask. We are your problem solvers!



100% Canadian 🍁

WORLDWIDE DELIVERY
www.dandytemppower.com

Phone: 780.361.2370 Fax: 780.361.2384
Toll Free: 1.888.361.2370

info@dandytemppower.com

Distributed by:

